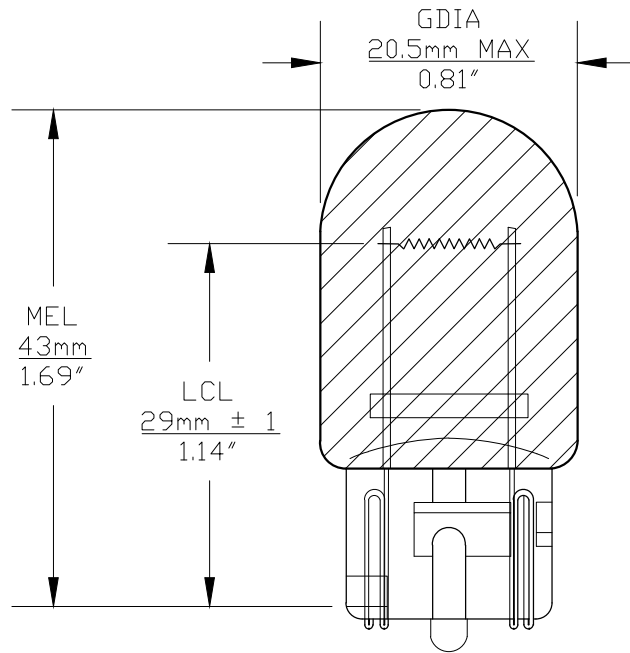


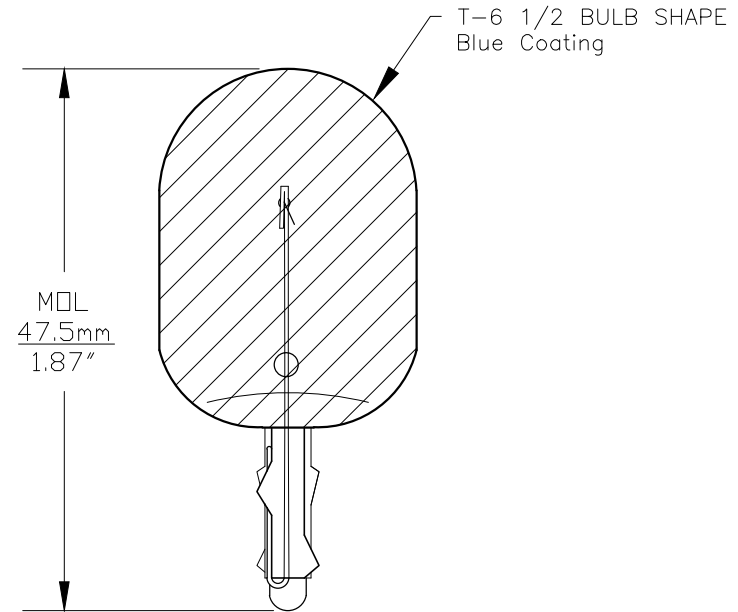


Since 1959

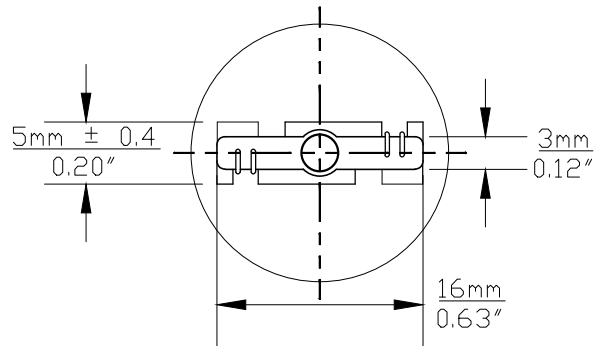
PART NO.	BASE TYPE	TEST VOLTS	DESIGN AMPS	MSCD	FILAMENT TYPE	AVERAGE LIFE HOURS	REVISIONS			
							REV #	DESCRIPTION	DATE	APPROVED
HIB7440 WM	Glass Wedge W3X16d	13.5V	1.85±6%	36.6±15%	C-6	300	1	ISSUED	06/07/2019	R.M.



0° VIEW



90° VIEW



BASE BOTTOM VIEW



Note: Made according to SAE specifications

UNLESS OTHERWISE SPECIFIED: DIMENSIONS ARE IN INCHES TOLERANCES		CEC INDUSTRIES LTD			
DECIMALS	ANGULAR	599 BOND STREET		LINCOLNSHIRE, IL 60069	
.XX ± .05	± 0.5°	TITLE LIGHT BULB NO. HIB7440 WM			
.XXX ± .010		SIZE A	FSCM NO.	DWG NO. HIB7440 WM	REV 1
FRACTIONAL	± 1/64	SCALE		PLOT SCALE	SHEET 1 OF 1
DRAWN ROSE MEDINA		DATE 06/07/2019		MATERIAL	
CHECKED		FILE HIB7440WM.pdf		DRAWING NOT TO SCALE	