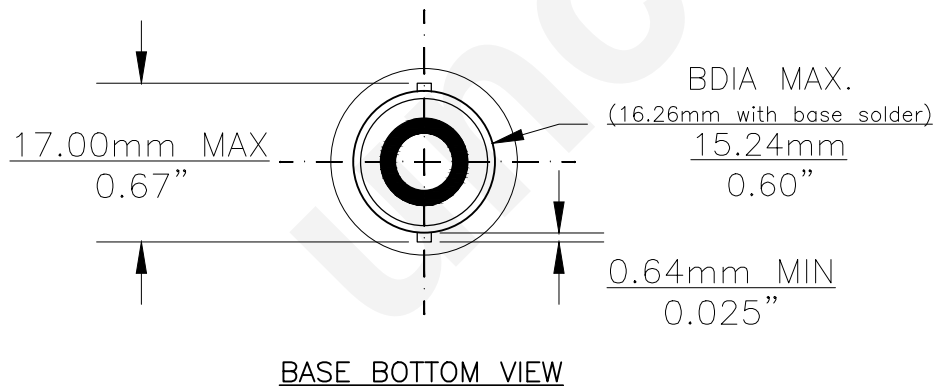
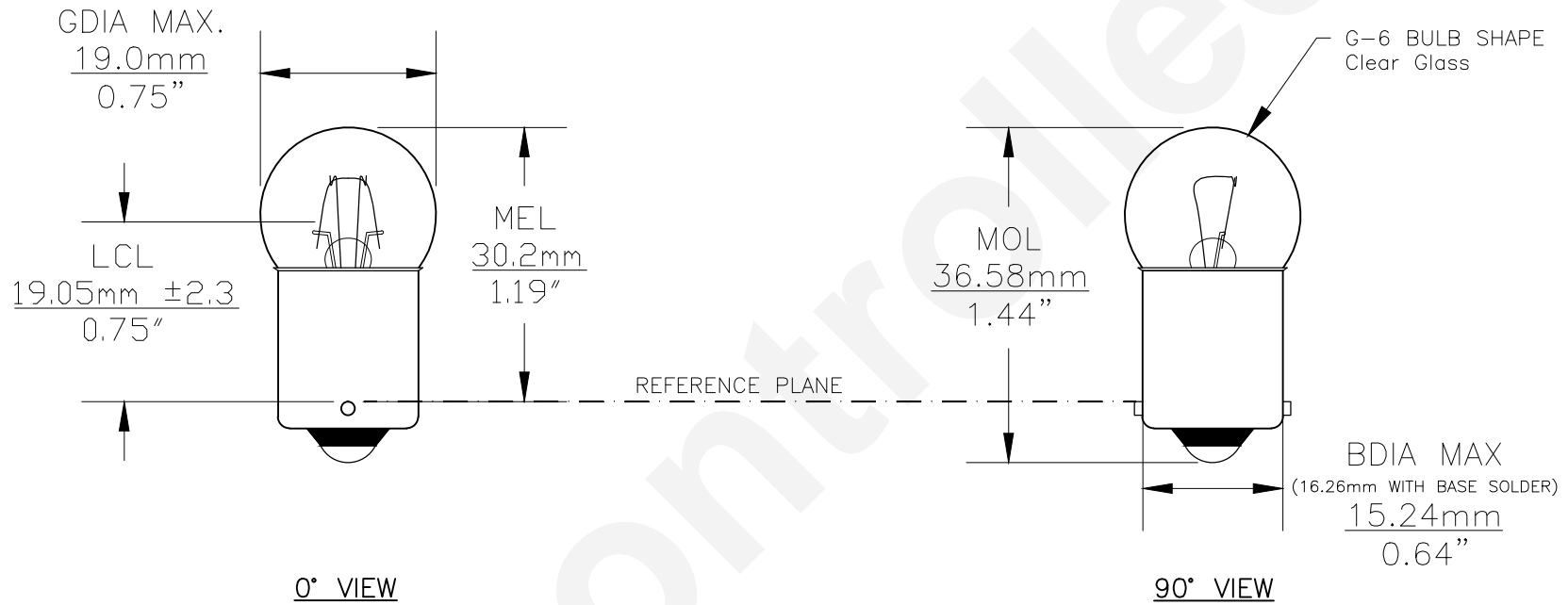




PART NO.	BASE TYPE	DESIGN VOLTS	DESIGN AMPS	MSCD	FILAMENT TYPE	AVERAGE LIFE HOURS	REVISIONS			
							REV #	DESCRIPTION	DATE	APPROVED
CE15	S.C. BAYONET (BA15s)	24.0V	0.5 ±20%	5.3±25%	C-2F	500	1	REDRAWN FOR ADDITIONAL VIEWS	10/31/2014	R.M.



Note: Made according to SAE specifications

UNLESS OTHERWISE SPECIFIED: DIMENSIONS ARE IN INCHES TOLERANCES		CEC INDUSTRIES LTD			
DECIMALS .XX ± .05		599 BOND STREET		LINCOLNSHIRE, IL 60069	
ANGULAR .XXX ± .010		TITLE LIGHT BULB NO. CE15			
FRACTIONAL ±1/64		DATE 08/11/2005	SIZE A	FSCM NO. CE15	REV 1
DRAWN D.C.	CHECKED	DESIGN	SCALE	PLOT SCALE	SHEET 1 OF 1
MATERIAL		FILE CE15.pdf	DRAWING NOT TO SCALE		