

PART NO.	VOLTS	AMPS
CB120-10	6-12	10
CB120-15	6-12	15
CB120-20	6-12	20
CB120-25	6-12	25
CB120-30	6-12	30
CB120-35	6-12	35
CB120-40	6-12	40

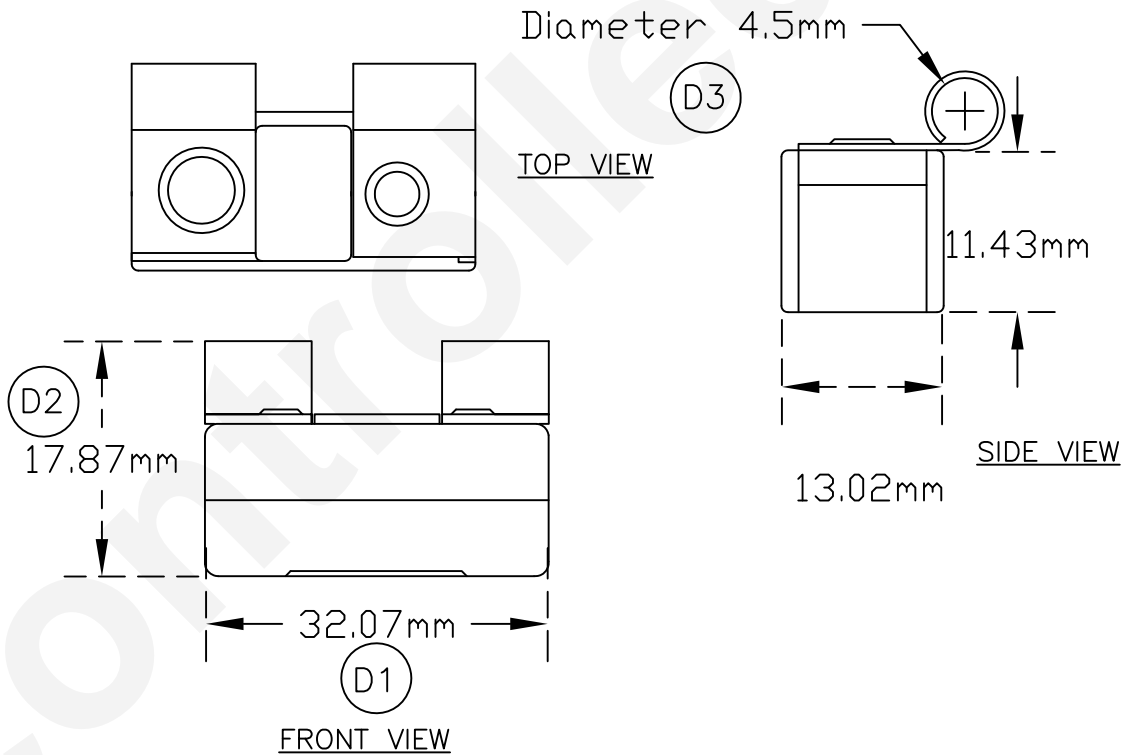
TYPE 2 CIRCUIT BREAKER  
FUSE CLIP MOUNTING

Complies with SAE Standard J553

**Characteristics:**

1. Load (10, 15, 20, 25, 30, 35, 40) Amperes
2. Voltage 6-12 Volts.
3. Voltage Drop is less than 150 MV at Rated Current
4. Open Circuit Current: 1.0-Ampere Maximum
5. Operation:
  - A. Will not open. No Load at 240° F (116° C)
  - B. Time to Open @ 135% Rated Current: 30 minutes maximum
  - C. Time to Open @ 200% Rated Current: 60 seconds maximum
  - D. Hold 100% rated current for a minimum of 30 minutes.

REVISIONS			
REV	DESCRIPTION	DATE	APPROVED
1	ISSUED	02/06/2002	A.S.
2	Redraw and addition Specification	10/19/2007	S.L.
3	ADDITIONAL NOTES	08/04/2008	D.C.
4	REVISED VOLTAGE RATING	06/26/2013	D.C.



UNLESS OTHERWISE SPECIFIED: DIMENSIONS ARE IN INCHES TOLERANCES DECIMALS      ANGULAR .XX ± .05      ± 0.5° .XXX ± .010 FRACTIONAL      ± 1/64		<b>CEC INDUSTRIES LTD</b> 599 BOND STREET      LINCOLNSHIRE IL 60069			
		TITLE <b>CIRCUIT BREAKER NO. CB120</b>			
DRAWN Anna Soloveychik	DATE 02/06/2002	SIZE A	FSCM NO. 9304 FCB	DWG NO. CB120	REV 4
CHECKED		SCALE	PLOT SCALE	SHEET 1 OF 1	
DESIGN		MATERIAL		FILE CB120.dwg	DO NOT SCALE DRAWING