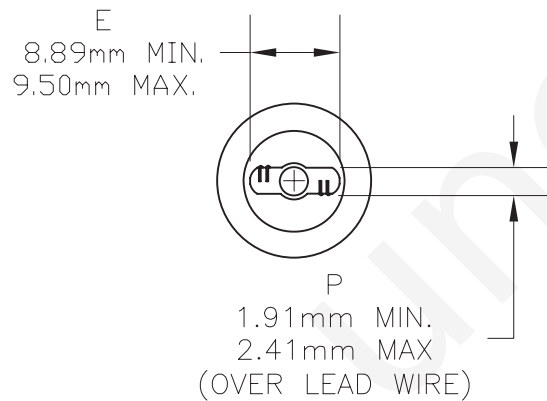
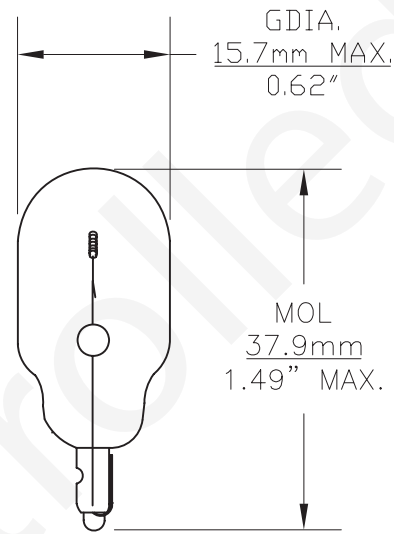
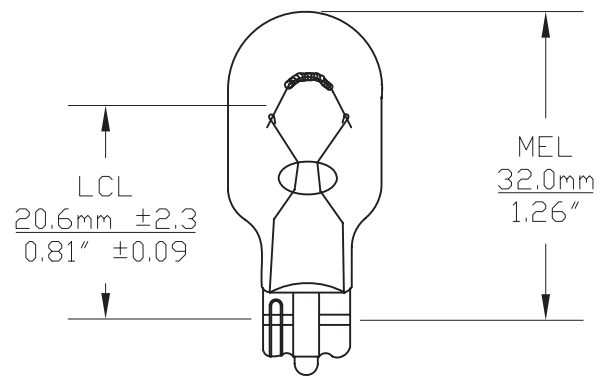


PART NO.	BASE TYPE	DESIGN VOLTS	AMPS	MSCD	FILAMENT TYPE	AVG LIFE
939	WEDGE	6.0	0.90 ± 10%	5.4 ± 20%	C-2R	50



UNLESS OTHERWISE SPECIFIED: DIMENSIONS ARE IN INCHES TOLERANCES		CEC INDUSTRIES LTD			
		599 BOND STREET		LINCOLNSHIRE, IL 60069	
		TITLE LIGHT BULB NO. 939, 6V			
DRAWN D. CLARK	DATE 11/15/2005	SIZE A	FSCM NO.	DWG NO. 939	REV
CHECKED		SCALE	PLOT SCALE	SHEET 1 OF 1	
DESIGN		MATERIAL	FILE 939.dwg	DO NOT SCALE DRAWING	