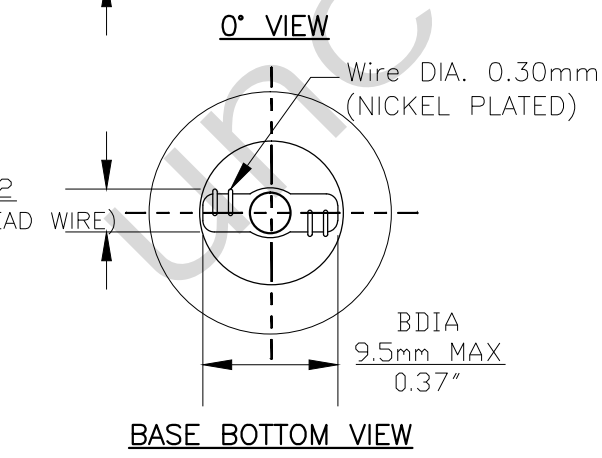
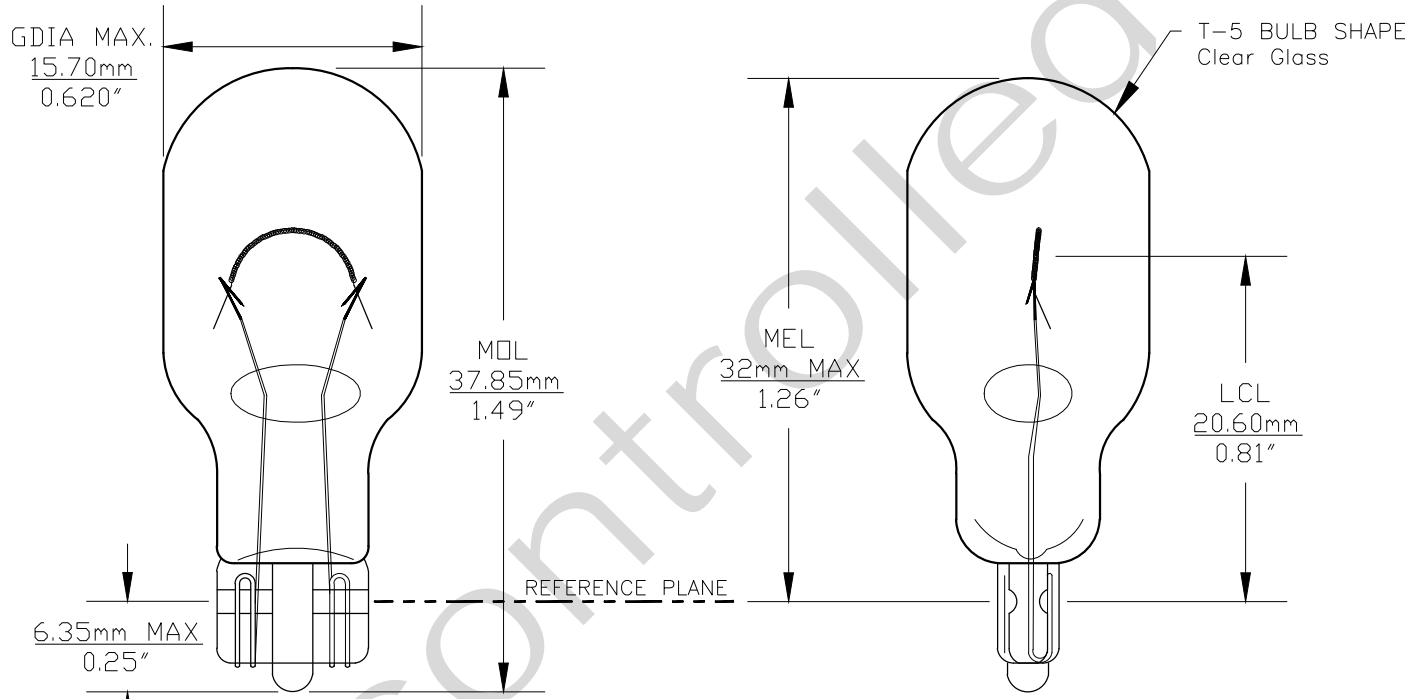




Since 1959

PART NO.	BASE TYPE	DESIGN VOLTS	DESIGN AMPS	MSCD	FILAMENT TYPE	AVERAGE LIFE HOURS	REVISIONS			
							REV #	DESCRIPTION	DATE	APPROVED
921X	Glass Wedge (T-5)	12.8V	1.4±10%	21.0±20%	C-2R	10,000	1	ISSUED	06/26/2014	R.M.
							2	REVISED LIFE TIME HRS FROM 1,000	01/07/2022	R.M.



Note: Made according to SAE specifications



UNLESS OTHERWISE SPECIFIED: DIMENSIONS ARE IN INCHES TOLERANCES		CEC INDUSTRIES LTD			
DECIMALS	ANGULAR	599 BOND STREET		LINCOLNSHIRE, IL 60069	
.XX ± .05	± 0.5°	TITLE LIGHT BULB NO. 921X			
.XXX ± .010		SIZE A	FSCM NO.	DWG NO. 921X	REV 2
FRACTIONAL	± 1/64	DESIGN	SCALE	PLOT SCALE	SHEET 1 OF 1
DRAWN ROSE MEDINA DATE 06/26/2014		MATERIAL		FILE 921X.pdf	DRAWING NOT TO SCALE