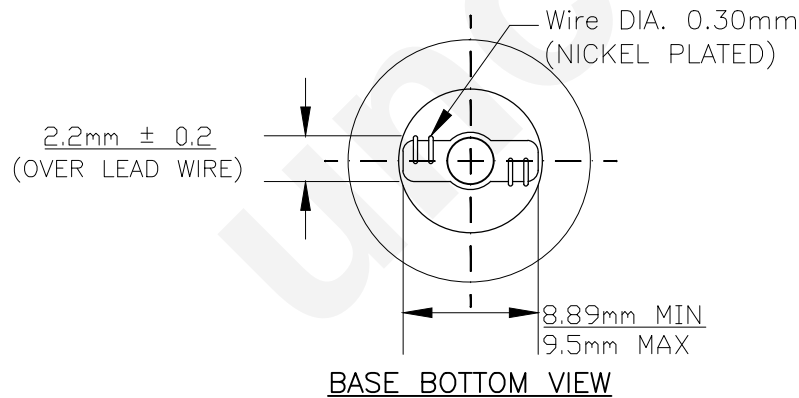
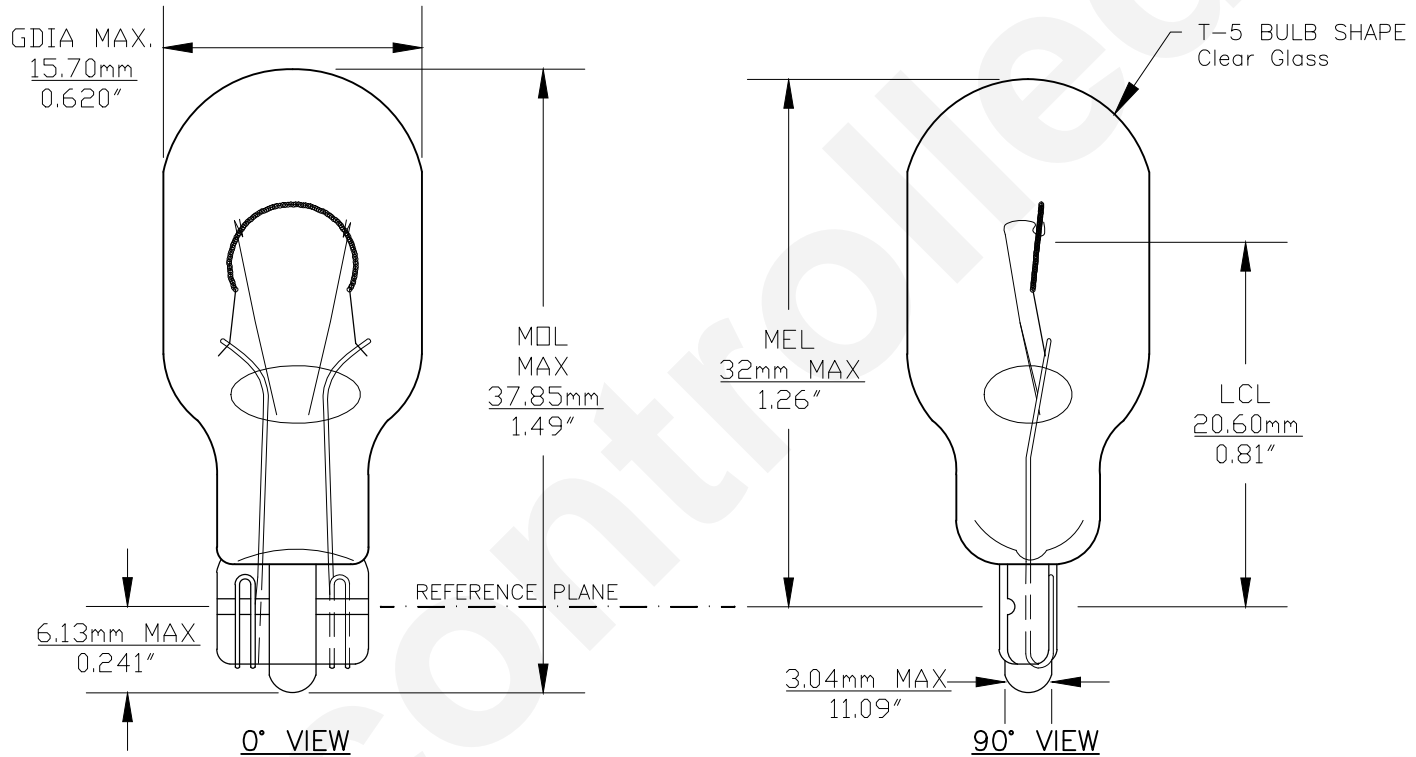




Since 1959

| PART NO. | BASE TYPE         | DESIGN VOLTS | DESIGN AMPS | MSCD    | FILAMENT TYPE | AVERAGE LIFE HOURS | REVISIONS |                        |            |          |
|----------|-------------------|--------------|-------------|---------|---------------|--------------------|-----------|------------------------|------------|----------|
|          |                   |              |             |         |               |                    | REV #     | DESCRIPTION            | DATE       | APPROVED |
| 904      | Glass Wedge (T-5) | 13.5V        | 0.69±10%    | 4.0±15% | C-2F          | 5000               | 1         | CHANGED MOL FROM 37.80 | 10/26/2004 | D.C.     |
|          |                   |              |             |         |               |                    | 2         | ADDED 90° VIEW         | 06/05/2014 | R.M.     |



Note: Made according to SAE specifications



|   |                     |                          |                        |
|---|---------------------|--------------------------|------------------------|
| UNLESS OTHERWISE SPECIFIED:<br>DIMENSIONS ARE IN INCHES<br>TOLERANCES |                     | CEC INDUSTRIES LTD       |                        |
| DECIMALS .XX ± .05  | ANGULAR .XXX ± .010 | 599 BOND STREET          | LINCOLNSHIRE, IL 60069 |
| FRACTIONAL ±1/64  |                     | TITLE LIGHT BULB NO. 904 |                        |
| DRAWN ELIZABETH SONANES   | DATE 01/11/2002     | SIZE A                   | FSCM NO. 904           |
| CHECKED   |                     | DWG NO. 904              | REV 2                  |
| DESIGN  | SCALE               | PLOT SCALE               | SHEET 1 OF 1           |
| MATERIAL  | FILE 904.pdf        | DRAWING NOT TO SCALE     |                        |