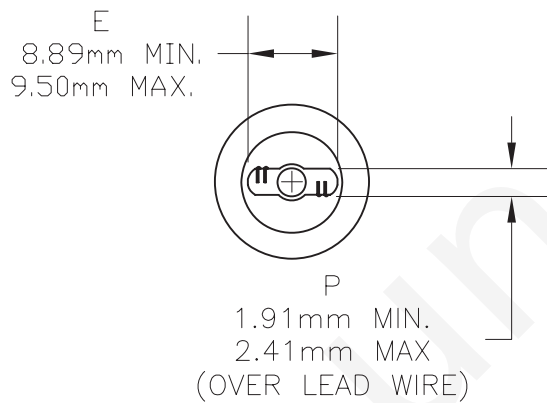
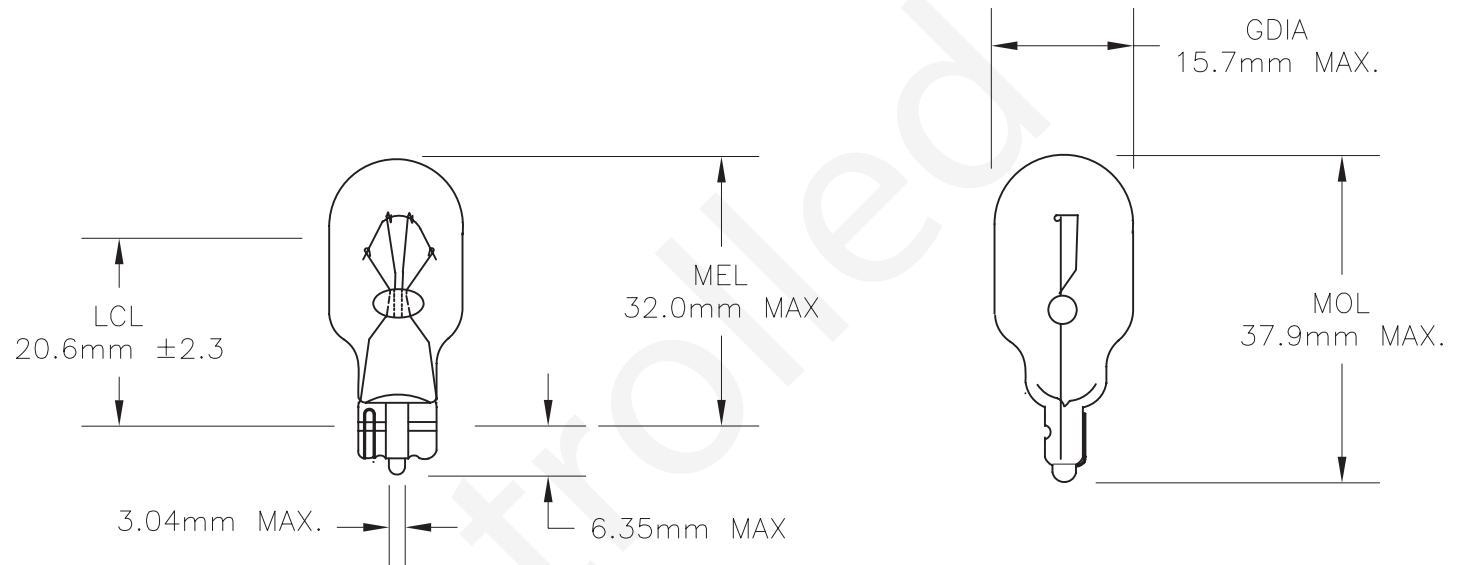


PART NO.	BASE TYPE	DESIGN VOLTS	DESIGN AMPS	MSCD	FILAMENT TYPE	AVG LIFE
901	WEDGE W2.1X9.2d	12.8	0.31 ± 10%	2.9 ± 15%	C-2R	500

REVISIONS			
REV	DESCRIPTION	DATE	APPROVED
A	DRAWING ISSUED	11/03/2006	D.C.



UNLESS OTHERWISE SPECIFIED: DIMENSIONS ARE IN INCHES TOLERANCES	
DECIMALS	ANGULAR
.XX ± .05	± 0.5°
.XXX ± .010	
FRACTIONAL	± 1/64
DRAWN D. CLARK	DATE 11/03/2006
CHECKED	
DESIGN	
MATERIAL	

CEC INDUSTRIES LTD			
599 BOND STREET		LINCOLNSHIRE, IL 60069	
TITLE LIGHT BULB NO. 901			
SIZE A	FSCM NO.	DWG NO. 901	REV
SCALE	PLOT SCALE	SHEET 1 OF 1	
MATERIAL	FILE 901.dwg	DO NOT SCALE DRAWING	