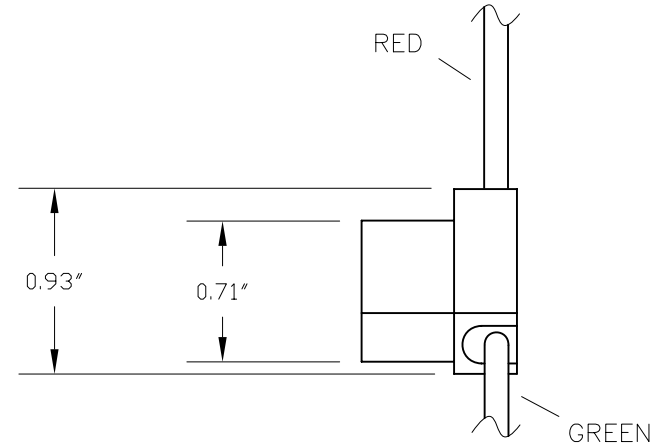
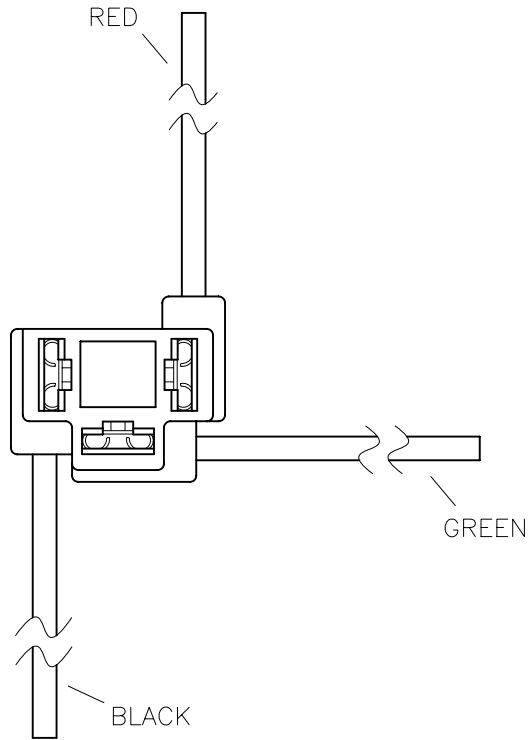
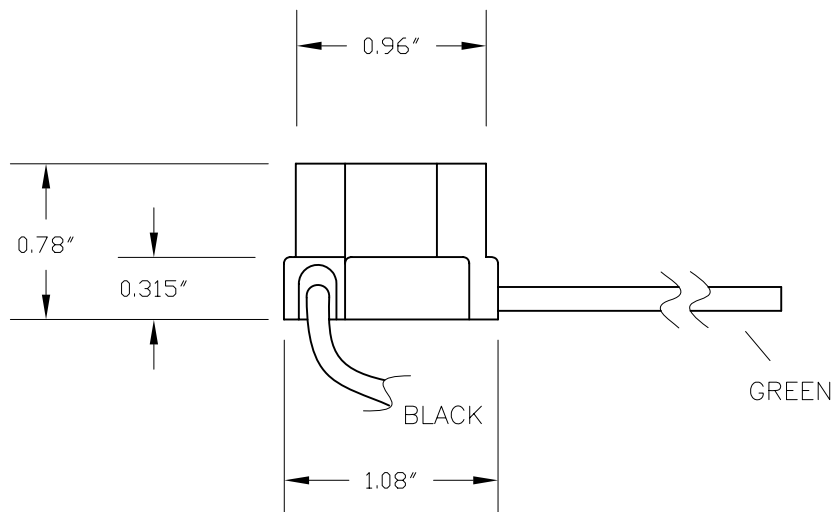


REVISIONS			
REV	DESCRIPTION	DATE	APPROVED
1	ISSUED	04/29/2010	D.C.



WIRE: LENGTH 6-3/16", 14GA,
 COLOR AS MARKED
 HOUSING: BEIGE

FITS ALL 9003 AND H4 HALOGEN LAMPS



UNLESS OTHERWISE SPECIFIED: DIMENSIONS ARE IN INCHES TOLERANCES		CEC INDUSTRIES LTD		
DECIMALS .XX ± .02		599 BOND STREET LINCOLNSHIRE, IL 60069		
ANGULAR .XXX ± .010		TITLE		
FRACTIONAL ± 1/64		PART NO. 85905		
DRAWN DC	DATE 04/29/2010	SIZE A	FSCM NO.	DWG NO. 85905
CHECKED		SCALE	PLOT SCALE	REV 1
DESIGN		SHEET 1 OF 1		
MATERIAL	FILE 85905.dwg	DO NOT SCALE DRAWING		