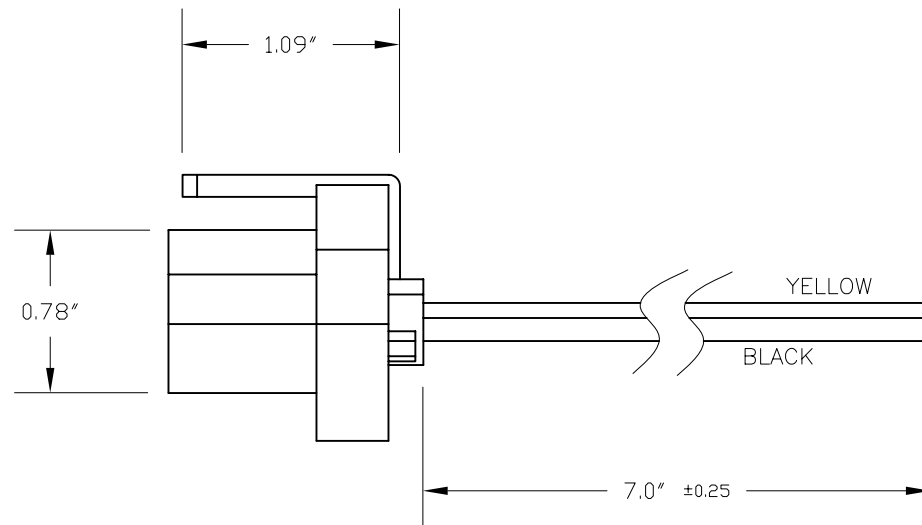
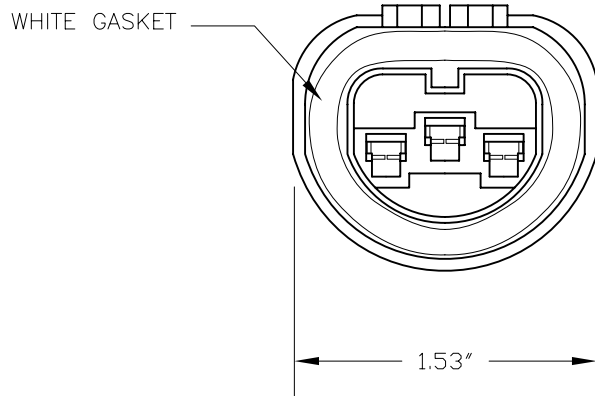
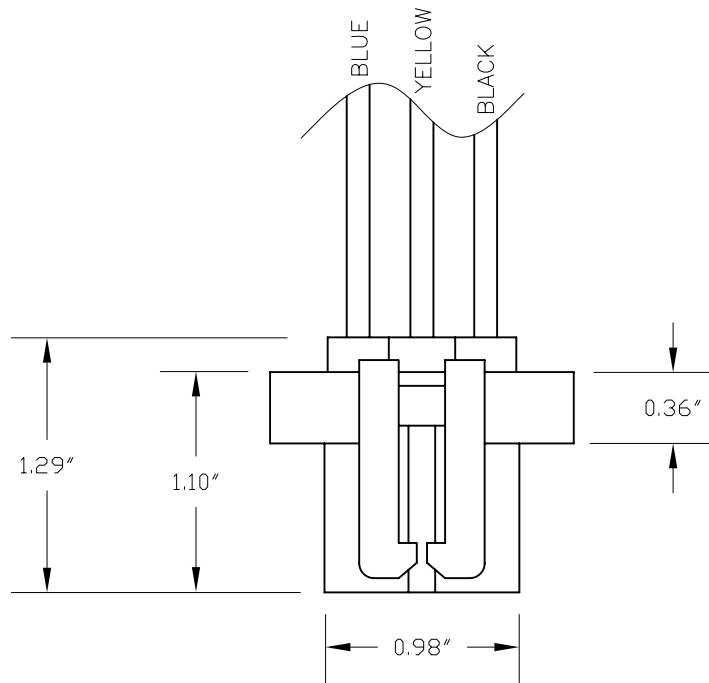


REVISIONS			
REV	DESCRIPTION	DATE	APPROVED
1	ISSUED	04/29/2010	D.C.

HOUSING FITS ALL 9004 AND 9007
SERIES HALOGEN LAMPS

HOUSING: BLUE
GASKET: WHITE, 5mm THICK
WIRE: (3) 7", 14GA., COLORS AS SHOWN



UNLESS OTHERWISE SPECIFIED: DIMENSIONS ARE IN INCHES TOLERANCES		CEC INDUSTRIES LTD			
DECIMALS .XX ± .02		599 BOND STREET		LINCOLNSHIRE, IL 60069	
XXX ± .010		TITLE			
FRACTIONAL ±1/64		PART NO. 85904			
DRAWN DC	DATE 04/29/2010	SIZE A	FSCM NO.	DWG NO. 85904	REV 1
CHECKED		SCALE	PLOT SCALE	SHEET 1 OF 1	
DESIGN		FILE 85904.dwg		DO NOT SCALE DRAWING	