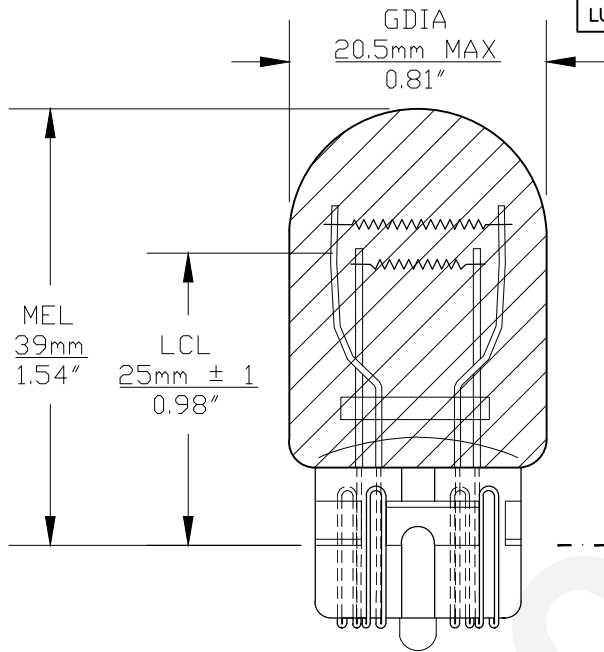


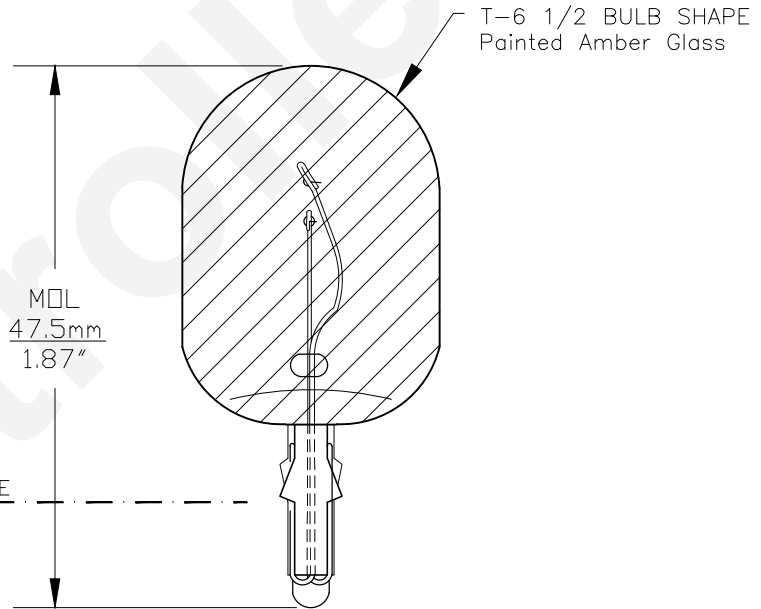


PART NO.	BASE TYPE	DESIGN VOLTS	FILAMENT TYPE	AVERAGE LIFE HOURS	REVISIONS			
					REV #	DESCRIPTION	DATE	APPROVED
7443A	Glass Wedge W3X16q (T-6 1/2)	13.5V	C-6 C-6	500 1000	1	ISSUED	08/26/2014	R.M.
					2	REVISED TEST VOLTAGE & LUMENS	09/09/2016	R.M.

TEST VOLTAGE: 13.5V
 26.5W/6.6W MAX.
 LUMENS: 280 ±20% / 21 ±20%

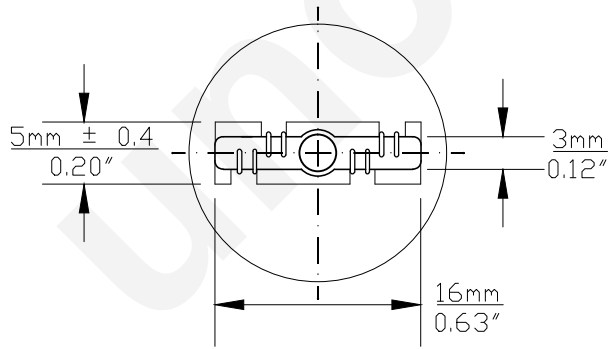


0° VIEW



90° VIEW

REFERENCE PLANE



BASE BOTTOM VIEW

UNLESS OTHERWISE SPECIFIED: DIMENSIONS ARE IN INCHES TOLERANCES		CEC INDUSTRIES LTD	
DECIMALS .XX ± .05	ANGULAR ± 0.5°	599 BOND STREET	LINCOLNSHIRE, IL 60069
.XXX ± .010	FRACTIONAL ± 1/64	TITLE LIGHT BULB NO. 7443A	
DRAWN ROSE MEDINA	DATE 08/26/2014	SIZE A	FSCM NO. DWG NO. 7443A
CHECKED			REV 2
DESIGN	SCALE	PLOT SCALE	SHEET 1 OF 1
MATERIAL	FILE 7443A.pdf	DRAWING NOT TO SCALE	