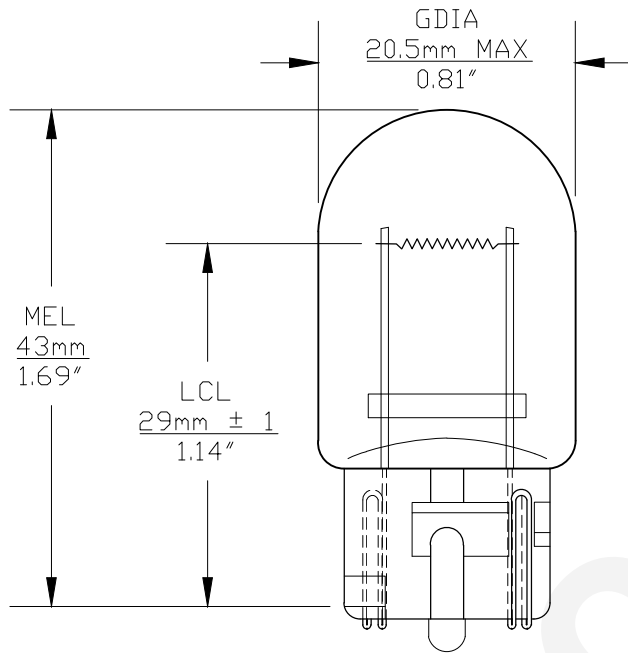




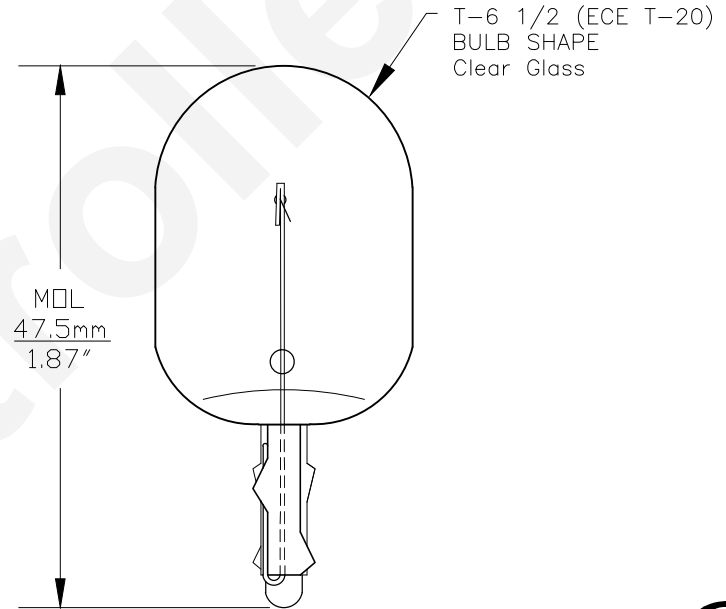
PART NO.	BASE TYPE	DESIGN VOLTS	FILAMENT TYPE	AVERAGE LIFE HOURS
7440	Glass Wedge W3X16d (T-6 1/2)	13.5V	C-6	300

REVISIONS			
REV #	DESCRIPTION	DATE	APPROVED
1	ISSUED	03/29/2007	D.C.
2	REVISED LCL TOLERANCE	06/22/2012	D.C.
3	ADDITIONAL VIEWS	06/27/2014	R.M.
4	REVISED ACCORDING TO ECE STANDARDS	09/09/2016	R.M.

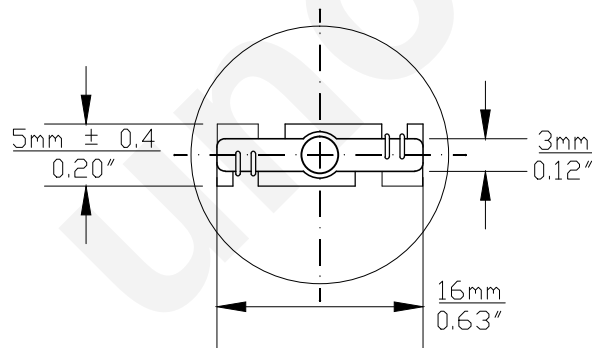
TEST VOLTAGE: 13.5V
26.5W MAX.
LUMENS: 460 ± 15%



0° VIEW



90° VIEW



BASE BOTTOM VIEW



Note: Made according to ECE/R37 specifications

UNLESS OTHERWISE SPECIFIED: DIMENSIONS ARE IN INCHES TOLERANCES		CEC INDUSTRIES LTD	
DECIMALS	ANGULAR	599 BOND STREET LINCOLNSHIRE, IL 60069	
.XX ± .05	± 0.5°		
.XXX ± .010			
FRACTIONAL	± 1/64		
DRAWN DENNIS C.	DATE 03/29/2007	TITLE LIGHT BULB NO. 7440 (W21W)	
CHECKED	SIZE A	FSCM NO.	DWG NO. 7440 REV 4
DESIGN	SCALE	PLOT SCALE	SHEET 1 OF 1
MATERIAL	FILE 7440.pdf	DRAWING NOT TO SCALE	