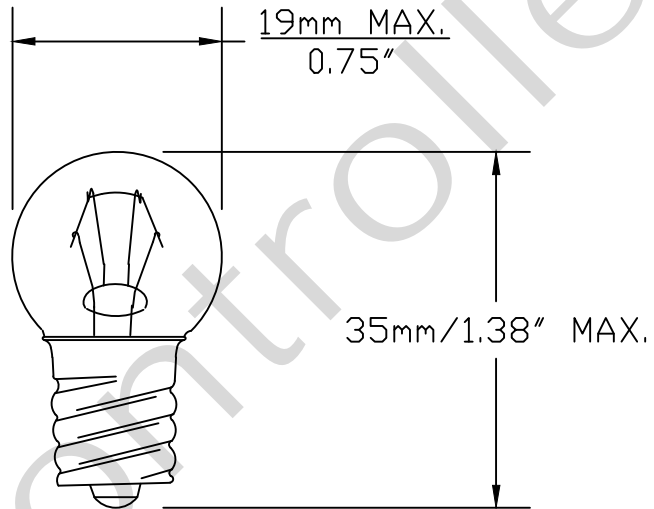


PART NO.	BASE TYPE	DESIGN VOLTS	DESIGN AMP	MSCD	FILAMENT TYPE	AVG LIFE
509K	G-6 Candelabra Screw E12	24 V	0.18	2.8	C2F/C2V	1000

REVISIONS			
REV	DESCRIPTION	DATE	APPROVED



UNLESS OTHERWISE SPECIFIED: DIMENSIONS ARE IN INCHES TOLERANCES		CEC INDUSTRIES LTD			
DECIMALS	ANGULAR	599 BOND STREET		LINCOLNSHIRE, IL 60069	
.XX ± .05	± 0.5°	TITLE			
.XXX ± .010		LIGHT BULB NO. 509K			
FRACTIONAL	± 1/64	SIZE	FSCM NO.	DWG NO.	REV
DRAWN	DATE	A		509K.DWG	
Sidney Liu	08/08/2008	SCALE	PLOT SCALE	SHEET 1 OF 1	
CHECKED		FILE	DO NOT SCALE DRAWING		
DESIGN		509K.DWG			
MATERIAL					