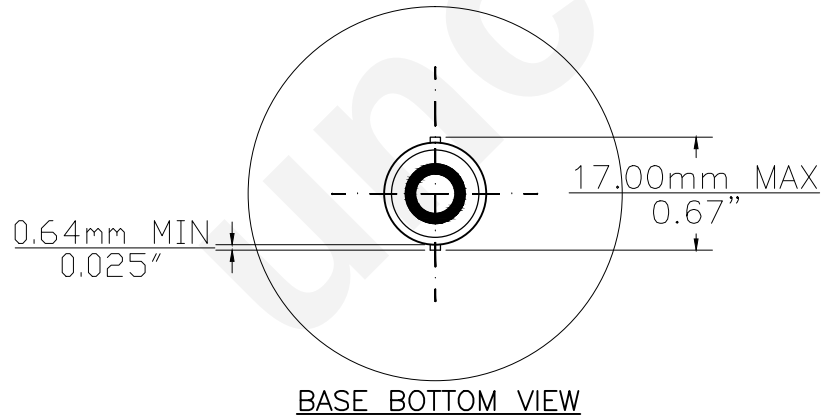
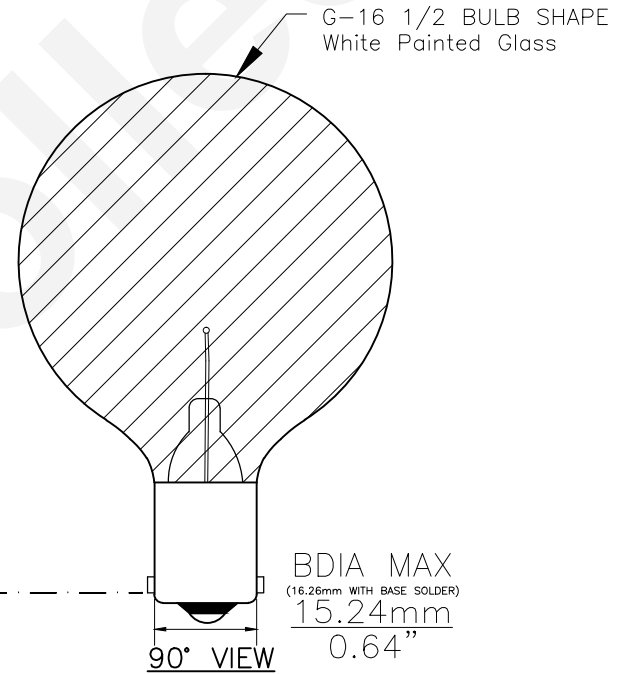
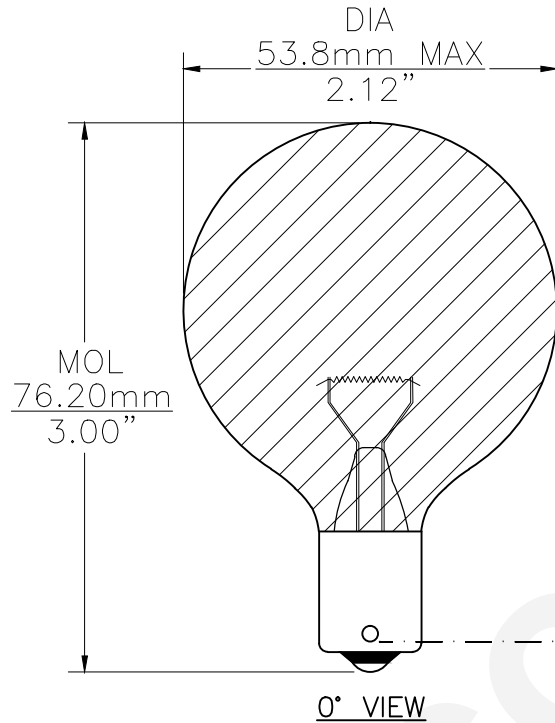




Since 1959

PART NO.	BASE TYPE	DESIGN VOLTS	DESIGN AMPS	MSCD	FILAMENT TYPE	AVERAGE LIFE HOURS	REVISIONS			
							REV #	DESCRIPTION	DATE	APPROVED
20-99	S.C. Bayonet (BA15s)	12.0V	1.08±5%	NOT AVAILABLE	C-6	300	1	REDRAWN FOR ADDITIONAL VIEWS	10/29/2014	R.M.



Note: Made according to SAE specifications



UNLESS OTHERWISE SPECIFIED: DIMENSIONS ARE IN INCHES TOLERANCES		CEC INDUSTRIES LTD			
DECIMALS	ANGULAR	599 BOND STREET		LINCOLNSHIRE, IL 60069	
.XX ± .05	± 0.5°	TITLE LIGHT BULB NO. 20-99			
.XXX ± .010		SIZE A	FSCM NO.	DWG NO. 20-99	REV 1
FRACTIONAL ± 1/64		DESIGN	SCALE	PLOT SCALE	SHEET 1 OF 1
DRAWN ELIZABETH SONANES		DATE 02/09/2001		MATERIAL	
CHECKED		FILE 20-99.pdf		DRAWING NOT TO SCALE	