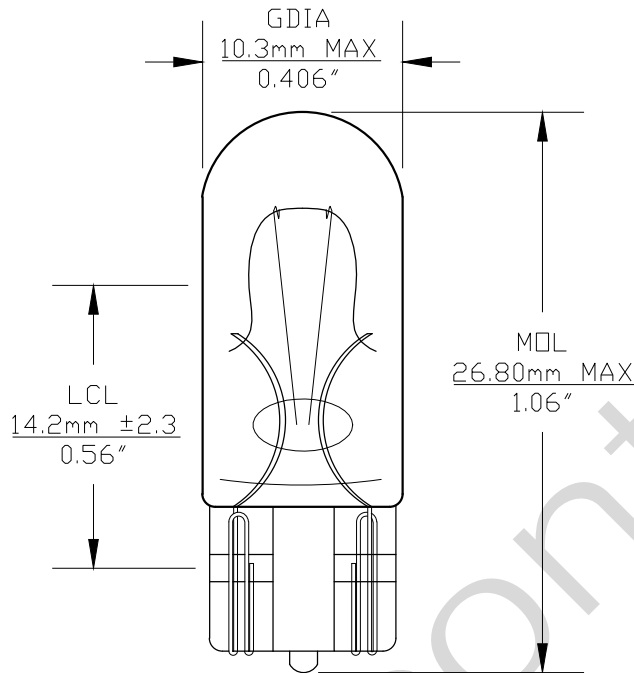
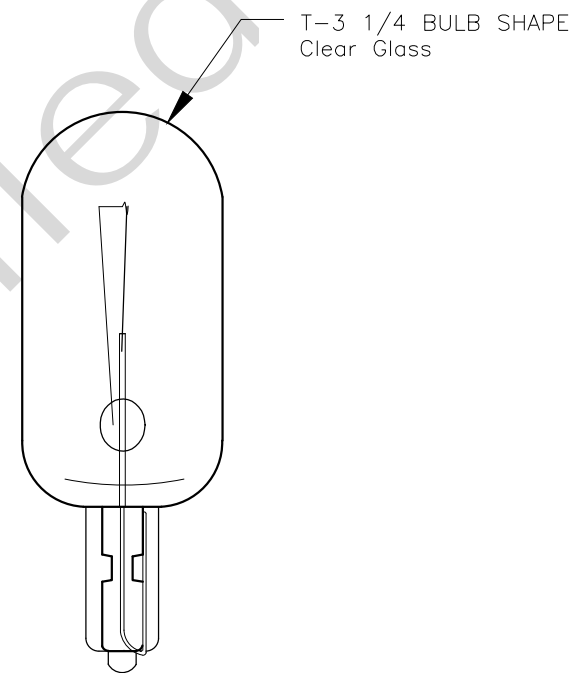




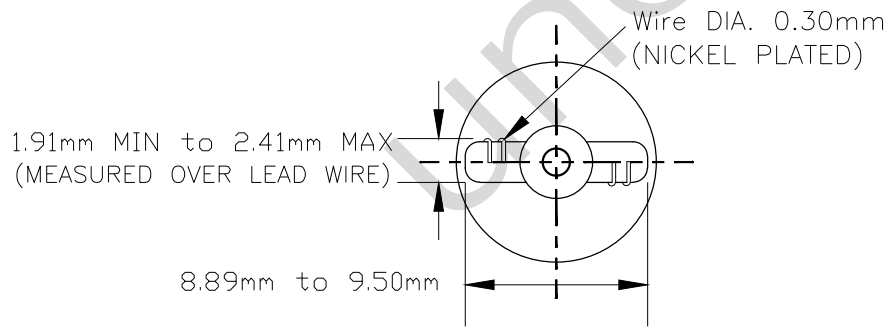
PART NO.	BASE TYPE	DESIGN VOLTS	DESIGN AMPS	MSCD	FILAMENT TYPE	AVERAGE LIFE HOURS	REVISIONS			
							REV #	DESCRIPTION	DATE	APPROVED
161	Glass Wedge T-3 1/4 (W2.1X9.2d)	14.0V	0.19 ±10%	1 ±20%	C-2F	4000	1	REDRAWN	06/03/2005	D.C.
							2	ADDITIONAL VIEW	05/23/2014	R.M.



0° VIEW



90° VIEW



BASE BOTTOM VIEW

Note: Made according to SAE specifications



UNLESS OTHERWISE SPECIFIED: DIMENSIONS ARE IN INCHES TOLERANCES		CEC INDUSTRIES LTD			
DECIMALS	ANGULAR	599 BOND STREET		LINCOLNSHIRE, IL 60069	
.XX ± .05	± 0.5°	TITLE LIGHT BULB NO. 161			
.XXX ± .010		SIZE A	FSCM NO.	DWG NO. 161	REV 2
FRACTIONAL	± 1/64	SCALE		PLOT SCALE	SHEET 1 OF 1
DRAWN MARIA M VARGAS		DATE 02/15/2000		MATERIAL	
CHECKED		FILE 161.pdf		DRAWING NOT TO SCALE	