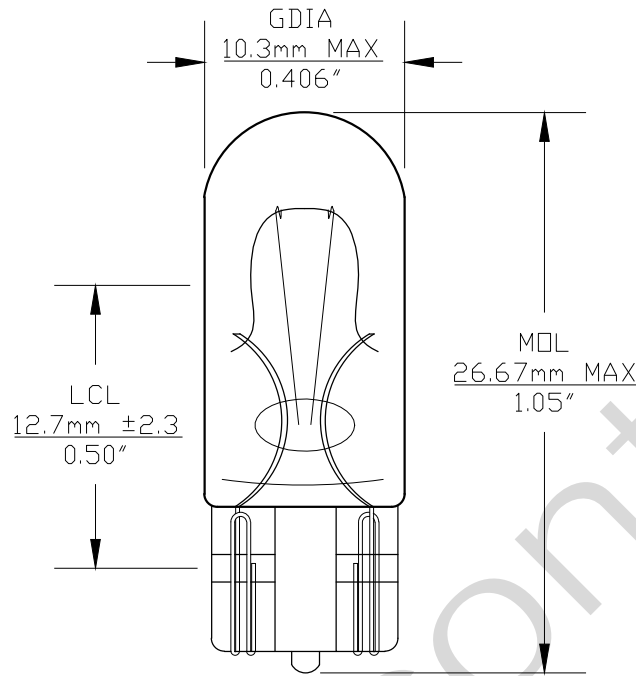


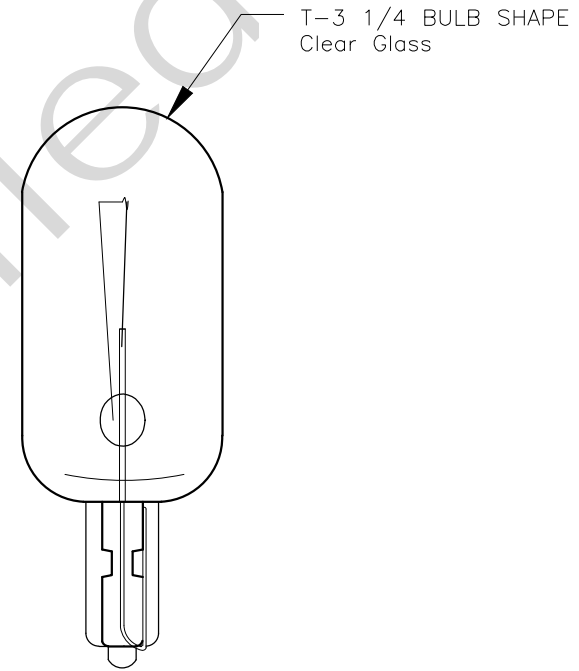


Since 1959

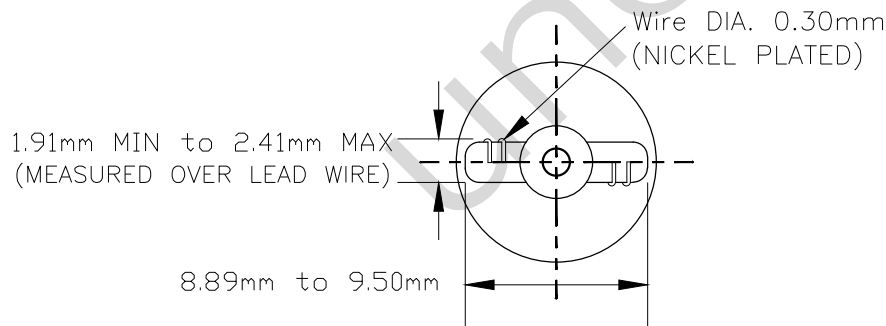
PART NO.	BASE TYPE	DESIGN VOLTS	DESIGN AMPS	MSCD	FILAMENT TYPE	AVERAGE LIFE HOURS	REVISIONS			
							REV #	DESCRIPTION	DATE	APPROVED
152	Glass Wedge T-3 1/4 (W2.1X9.2d)	28.0V	0.065±10%	.85±20%	C-2F	10,000	1	ISSUED	10/10/2016	R.M.



0° VIEW



90° VIEW



BASE BOTTOM VIEW

Note: Made according to SAE specifications



UNLESS OTHERWISE SPECIFIED: DIMENSIONS ARE IN INCHES TOLERANCES		CEC INDUSTRIES LTD			
DECIMALS	ANGULAR	599 BOND STREET		LINCOLNSHIRE, IL 60069	
.XX ± .05	± 0.5°	TITLE LIGHT BULB NO. 152			
.XXX ± .010	± 1/64	SIZE A	FSCM NO.	DWG NO. 152	REV 1
FRACTIONAL		SCALE	PLOT SCALE	SHEET 1 OF 1	
DRAWN ROSE MEDINA		DATE 10/10/2016	MATERIAL		
CHECKED		FILE 152.pdf	DRAWING NOT TO SCALE		