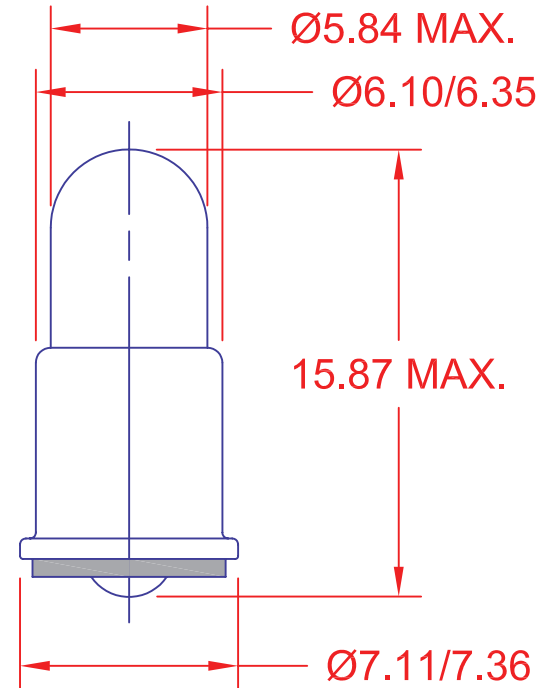



CPI Lamp Number	VOLTS +/- 10%	AMPS +/- 25%	MSCP +/- 25%	LIFE HOURS	FILAMENT
368	2.5	0.2	0.22	500	C-2R
338	2.7	0.06	0.04	6000	C-2R
328	6	0.2	0.34	1000	C-2R
381	6.3	0.2	0.4	20000	C-2F
367	10	0.04	0.08	5000	C-2F
394	12	0.04	0.12	10000	C-2F
330	14	0.08	0.5	1500	C-2F
382	14	0.08	0.3	15000	C-2F
8918	14	0.1	0.5	1000	C-2F
327	28	0.04	0.34	4000	C-2F
376	28	0.06	0.34	25000	C-2F
385	28	0.04	0.15	10000	C-2F
6034	28	0.02	0.15	16000	C-2F
269	32	0.04	0.3	4000	C-2F



		 iluminación corp 110 Terrace Dr., Mundelein, IL 60060	
DRAWN BY CV	DATE 3/2/24	TITLE T1.75 STANDARD MIDGET FLANGED	
CHECKED	SIZE	FSMC NO.	DWG NO. T1.75 S.M.F. REV
DESIGN	SCALE	PLOT SCALE	SHEET
MATERIAL	FILE T1.75smf.pdf	DRAWING NOT TO SCALE	
REVISIONS			
REV #	DESCRIPTION	DATE	APPROVED
1	RELEASED	3/6/24	CP
2			
3			
4			