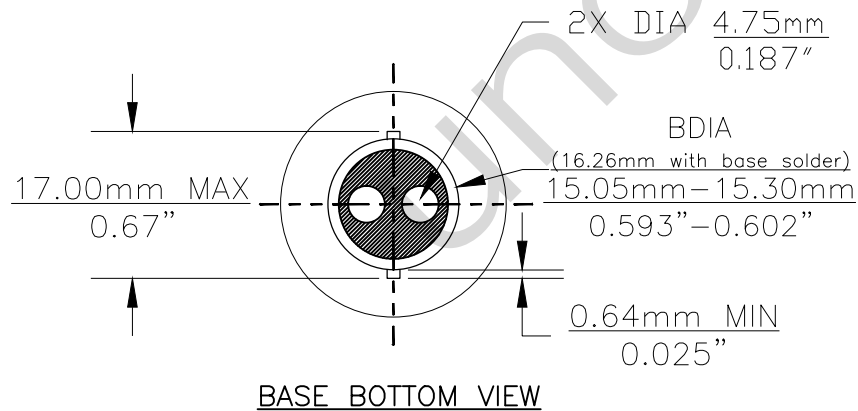
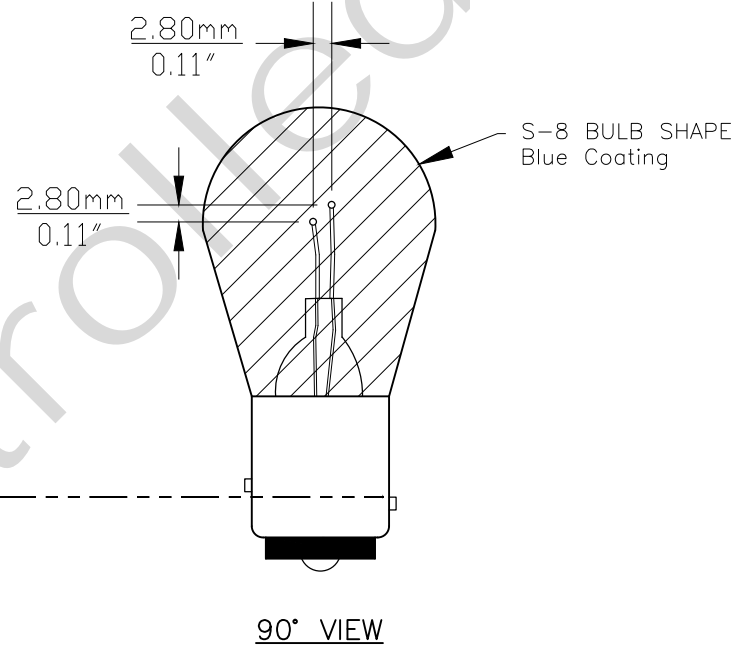
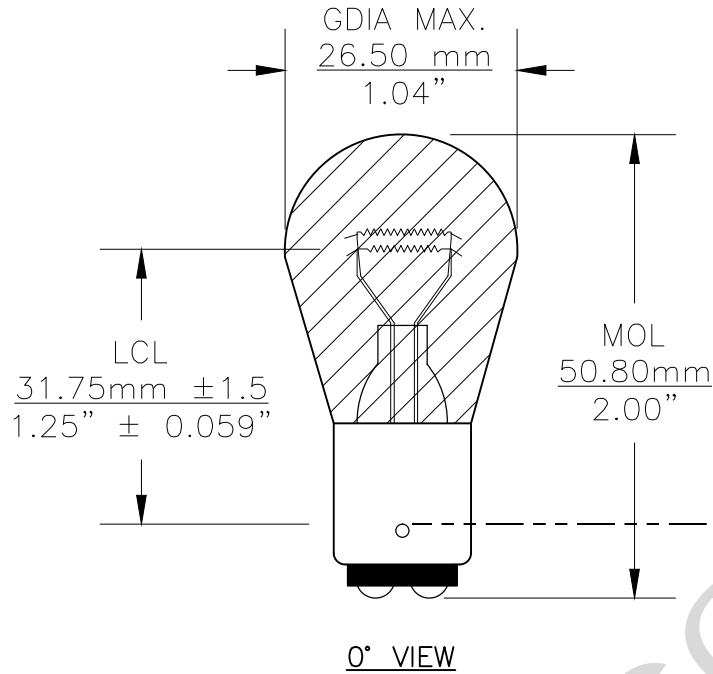




Since 1959

PART NO.	BASE TYPE	DESIGN VOLTS	DESIGN AMPS	MSCD	FILAMENT TYPE	AVERAGE LIFE HOURS	REVISIONS			
							REV #	DESCRIPTION	DATE	APPROVED
HIB2357 WM	D.C. INDEX BAY15d	12.8V 14V	2.23 ±5% 0.59 ±8%	40±10% 3 ±12%	C-6 C-6	400 5000	1	ISSUED	05/28/2019	R.M.



UNLESS OTHERWISE SPECIFIED: DIMENSIONS ARE IN INCHES TOLERANCES		CEC INDUSTRIES LTD			
DECIMALS .XX ± .05		ANGULAR ± 0.5°		599 BOND STREET LINCOLNSHIRE, IL 60069	
.XXX ± .010		FRACTIONAL ± 1/64		TITLE LIGHT BULB NO. HIB2357 WM	
DRAWN ROSE MEDINA	DATE 05/28/2019	SIZE A	FSCM NO.	DWG NO. HIB2357 WM	REV 1
CHECKED	DESIGN	SCALE	PLOT SCALE	SHEET 1 OF 1	
MATERIAL	FILE HIB2357WM.pdf	DRAWING NOT TO SCALE			