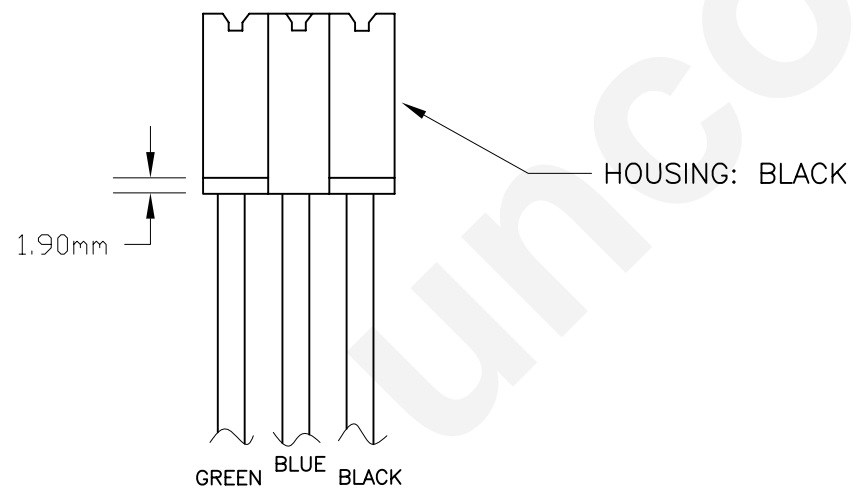
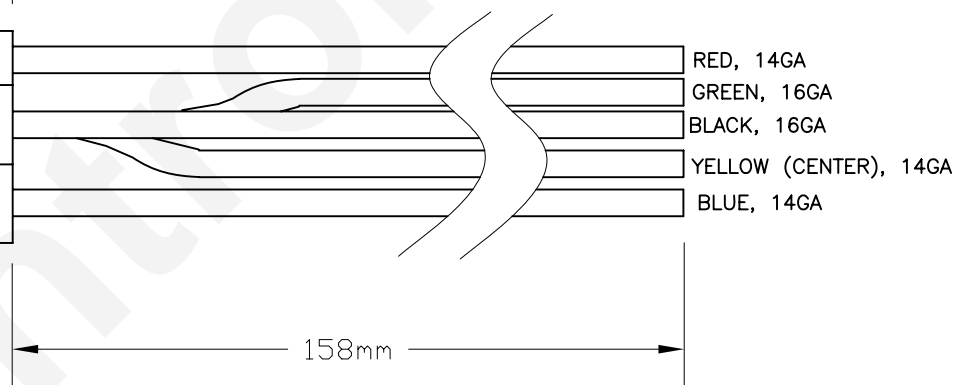
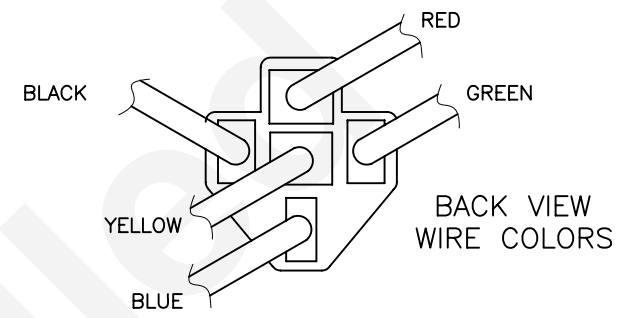
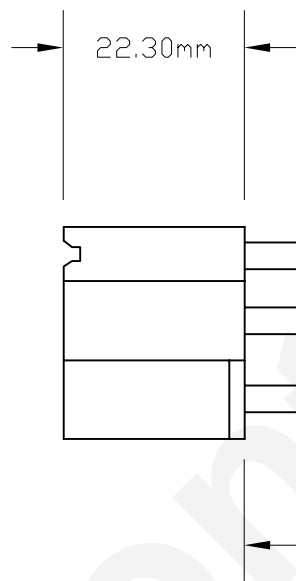
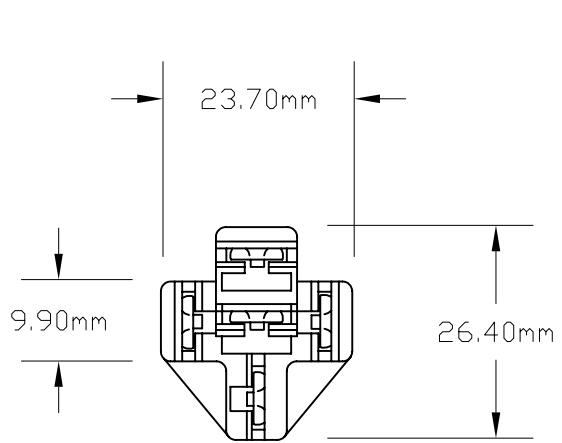


REV		DESCRIPTION	REVISIONS	
REV	DESCRIPTION	DATE	APPROVED	
1	ISSUED	06/20/2008	D.C.	



NOMINAL DIMENSIONS

UNLESS OTHERWISE SPECIFIED: DIMENSIONS ARE IN INCHES TOLERANCES		CEC INDUSTRIES LTD			
DECIMALS .XX ± .05		599 BOND STREET		LINCOLNSHIRE IL 60069	
ANGULAR ± 0.5°		TITLE			
.XXX ± .010		AR502C			
FRACTIONAL ± 1/64		DRAWN D.C.		DATE 06/20/2008	
DRAWN D.C.		SIZE A	FSCM NO.	DWG NO. AR502C	REV 1
CHECKED		SCALE		PLOT SCALE	SHEET 1 OF 1
DESIGN		MATERIAL		FILE AR502C.dwg	
		DO NOT SCALE DRAWING			