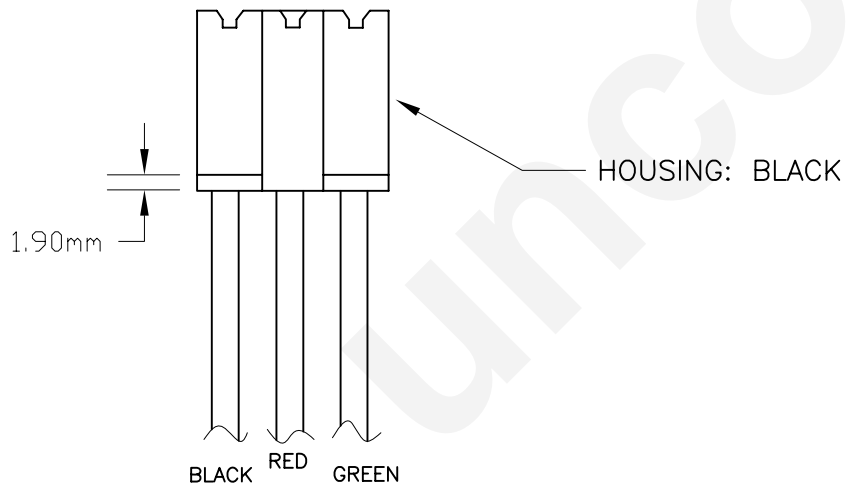
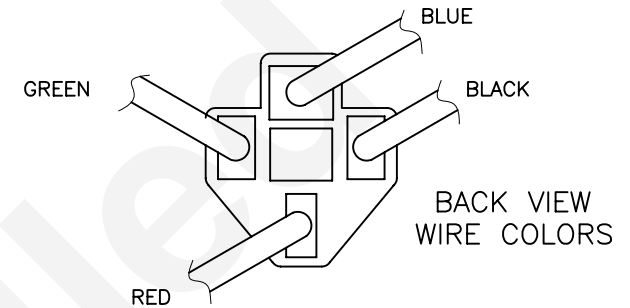
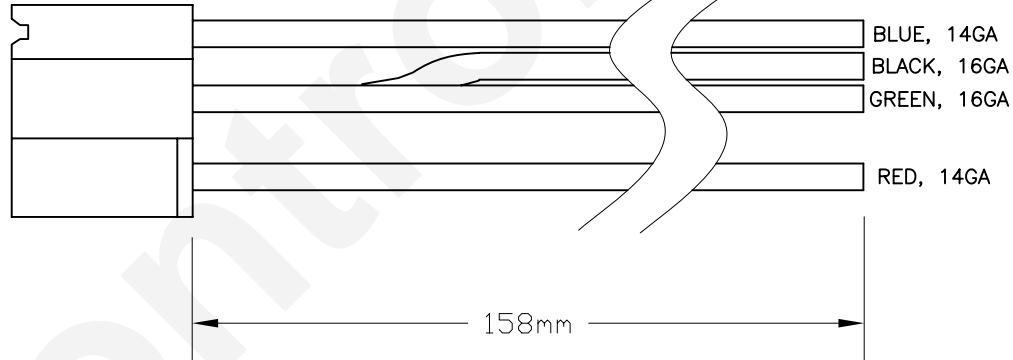
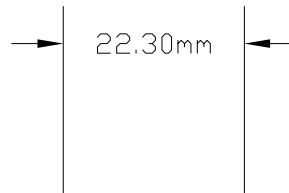
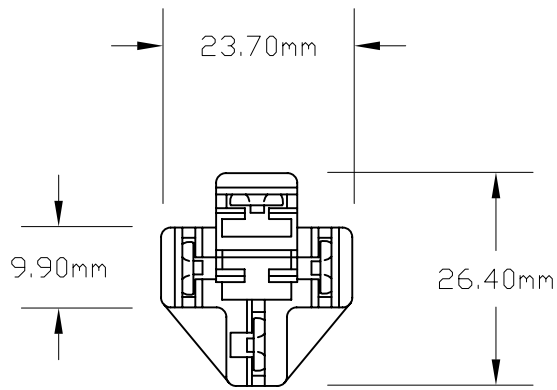


		REVISIONS	
REV	DESCRIPTION	DATE	APPROVED
1	ISSUED	06/19/2008	D.C.

.25" CONNECTORS



NOMINAL DIMENSIONS

UNLESS OTHERWISE SPECIFIED: DIMENSIONS ARE IN INCHES TOLERANCES		CEC INDUSTRIES LTD			
DECIMALS .XX ± .05		599 BOND STREET		LINCOLNSHIRE IL 60069	
ANGULAR ± 0.5°		TITLE			
.XXX ± .010		AR401C			
FRACTIONAL ± 1/64		DRAWN D.C.		DATE 06/19/2008	
CHECKED		SIZE A	FSCM NO.	DWG NO. AR401C	REV 1
DESIGN		SCALE		PLOT SCALE	SHEET 1 OF 1
MATERIAL		FILE AR401C.dwg		DO NOT SCALE DRAWING	