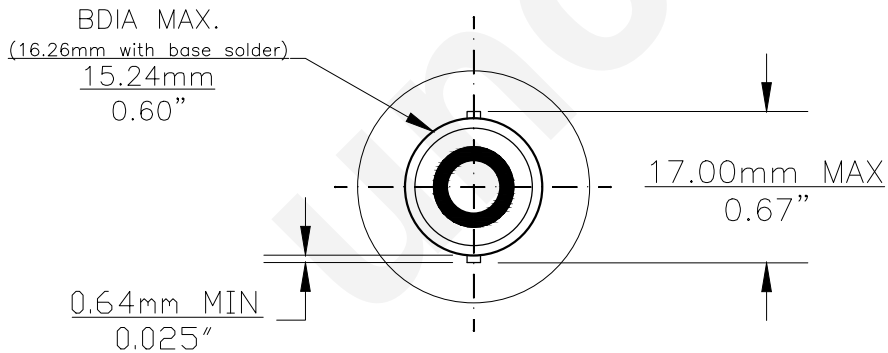
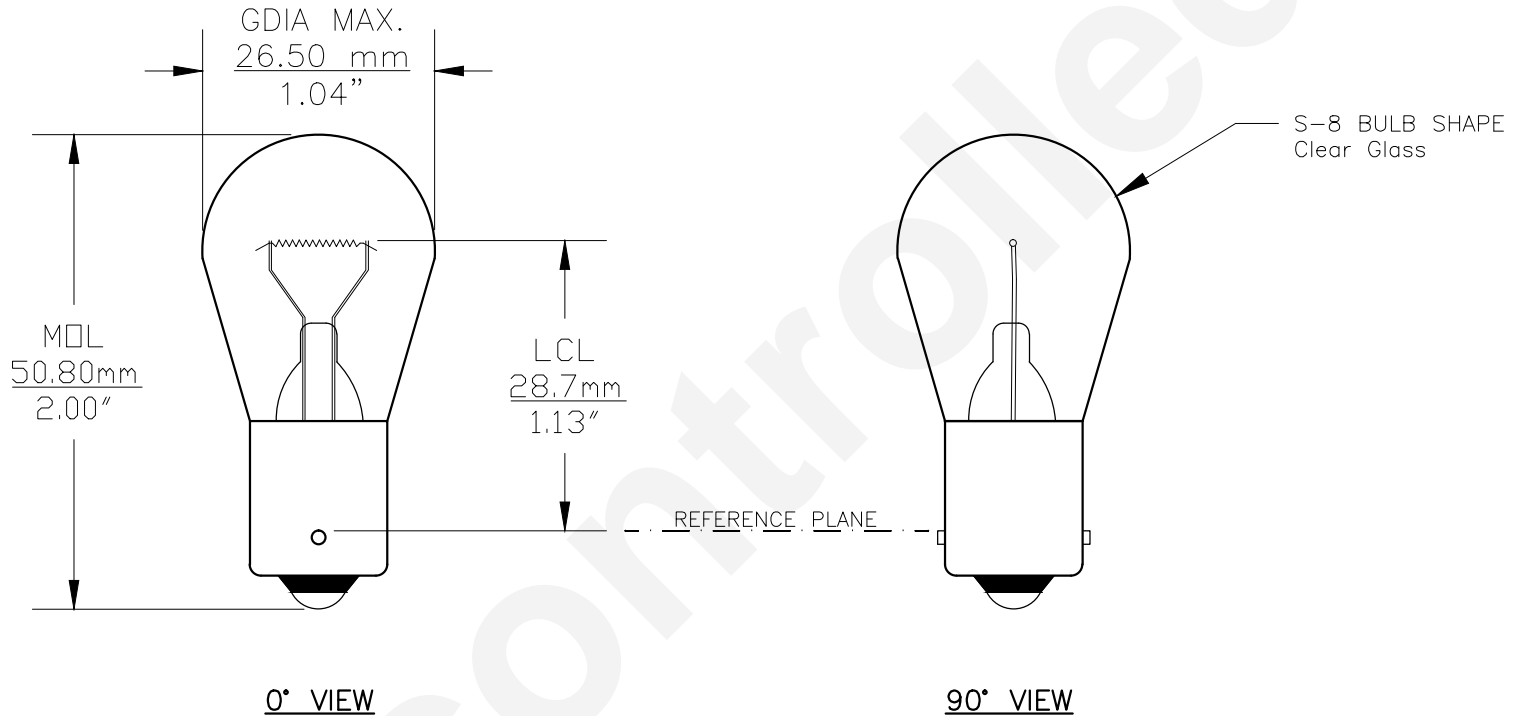




PART NO.	BASE TYPE	DESIGN VOLTS	DESIGN AMPS	MSCD	FILAMENT TYPE	AVERAGE LIFE HOURS	REVISIONS			
							REV #	DESCRIPTION	DATE	APPROVED
93	S.C. Bayonet (BA15s)	12.8V	1.04±20%	15.0±20%	C-6	700	1	REDRAWN FOR ADDITIONAL VIEWS	07/01/2014	R.M.
							2	REVISED LCL	02/09/2017	R.M.



Note: Made according to SAE specifications



UNLESS OTHERWISE SPECIFIED: DIMENSIONS ARE IN INCHES TOLERANCES		CEC INDUSTRIES LTD			
DECIMALS	ANGULAR	599 BOND STREET		LINCOLNSHIRE, IL 60069	
.XX ± .05	± 0.5°	TITLE LIGHT BULB NO. 93			
.XXX ± .010		DATE	02/01/2001	SIZE	A
FRACTIONAL	± 1/64	CHECKED	ELIZABETH SONANES	FSCM NO.	DWG NO. 93
DRAWN		SCALE	PLOT SCALE	SHEET	1 OF 1
MATERIAL		FILE	93.pdf	DRAWING NOT TO SCALE	