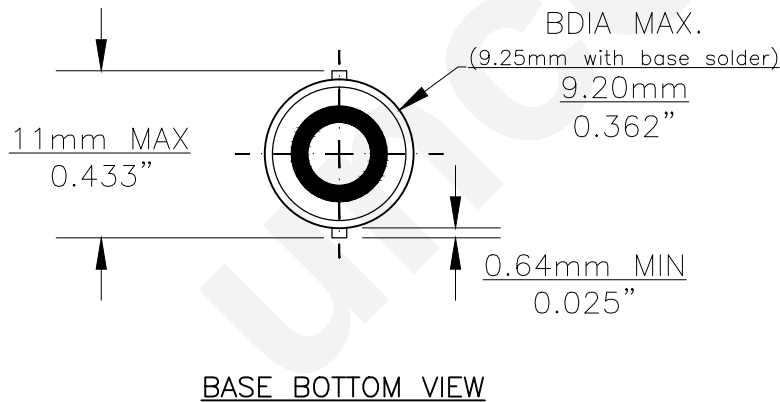
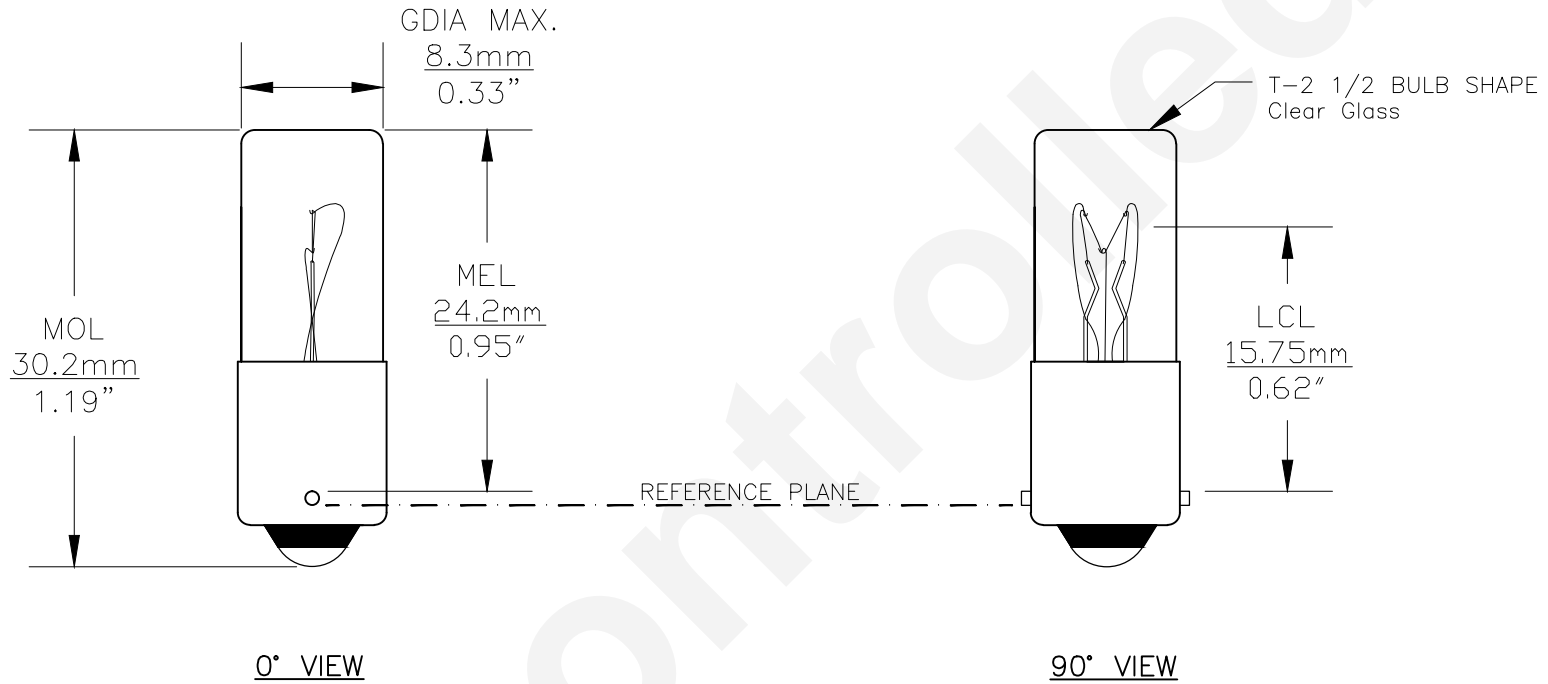




PART NO.	BASE TYPE	DESIGN VOLTS	DESIGN AMPS	MSCD	FILAMENT TYPE	AVERAGE LIFE HOURS	REVISIONS			
							REV #	DESCRIPTION	DATE	APPROVED
90MB	MINIATURE BAYONET (BA9s)	90.0V	0.03±20%	0.37 ±20%	CC-7A	5000	1	ISSUED	02/20/2007	D.C.
							2	ADDITIONAL VIEW	05/30/2014	R.M.



Note: Made according to SAE specifications

UNLESS OTHERWISE SPECIFIED: DIMENSIONS ARE IN INCHES TOLERANCES		CEC INDUSTRIES LTD			
DECIMALS	ANGULAR	599 BOND STREET		LINCOLNSHIRE, IL 60069	
.XX ± .05	± 0.5°	TITLE LIGHT BULB NO. 90MB			
.XXX ± .010		DATE 02/20/2007			
FRACTIONAL	± 1/64	CHECKED	SIZE A	FSCM NO.	DWG NO. 90MB
		DESIGN	SCALE	PLOT SCALE	REV 2
		MATERIAL	FILE 90MB.pdf	SHEET 1 OF 1	
		DRAWING NOT TO SCALE			