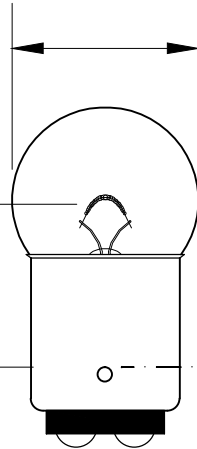




PART NO.	BASE TYPE	DESIGN VOLTS	DESIGN AMPS	MSCD	FILAMENT TYPE	AVERAGE LIFE HOURS	REVISIONS			
							REV #	DESCRIPTION	DATE	APPROVED
90	D.C. BAYONET (BA15d)	13V	0.58±8%	6 ±15%	C-2R	750	1	ISSUED	05/29/2014	R.M.

GDIA MAX.
19.0 mm
0.75"

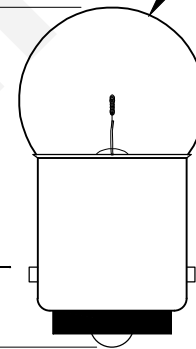
LCL
19.1mm ±2.3
0.75"



0° VIEW

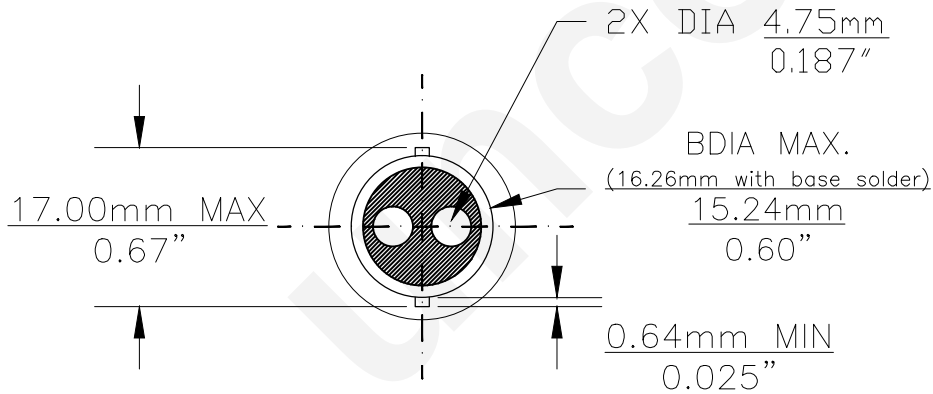
G-6 BULB SHAPE
Clear Glass

MOL
36.58mm
1.44"



90° VIEW

REFERENCE PLANE



BASE BOTTOM VIEW



Note: Made according to SAE specifications

UNLESS OTHERWISE SPECIFIED: DIMENSIONS ARE IN INCHES TOLERANCES		CEC INDUSTRIES LTD	
DECIMALS .XX ± .05	ANGULAR ± 0.5°	599 BOND STREET	LINCOLNSHIRE, IL 60069
.XXX ± .010	FRACTIONAL ± 1/64	TITLE LIGHT BULB NO. 90	
DRAWN ROSE MEDINA	DATE 05/29/2014	SIZE A	FSCM NO. 90
CHECKED		DWG NO. 90	REV 1
DESIGN	SCALE	PLOT SCALE	SHEET 1 OF 1
MATERIAL	FILE 90.pdf	DRAWING NOT TO SCALE	