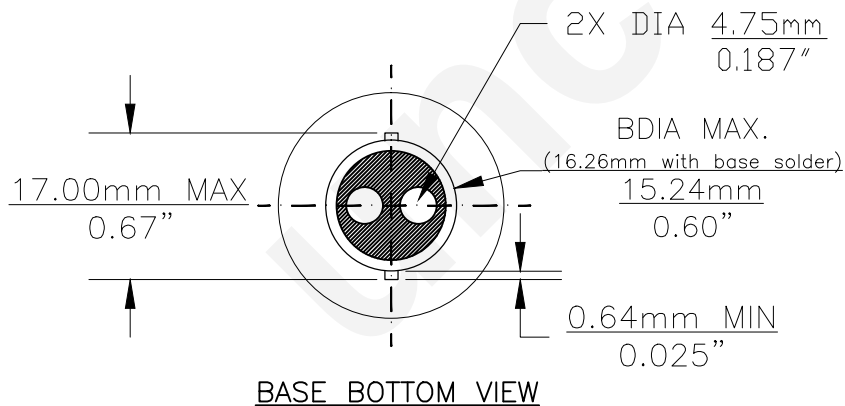
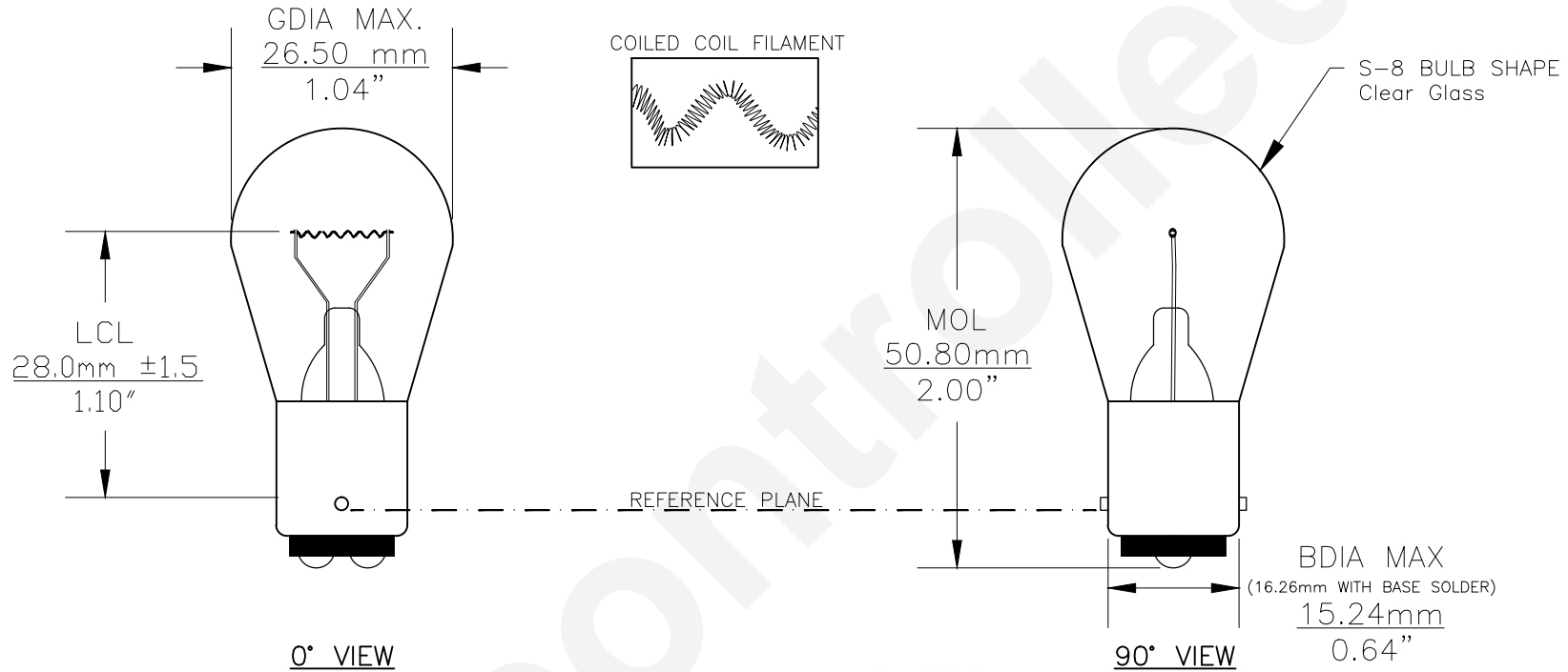




Since 1959

PART NO.	BASE TYPE	DESIGN VOLTS	DESIGN AMPS	MSCD	FILAMENT TYPE	AVERAGE LIFE HOURS	REVISIONS			
							REV #	DESCRIPTION	DATE	APPROVED
895	D.C. BAYONET (BA15d)	40.0V	0.53±10%	14±15%	CC-6	3800	1	ISSUED	10/23/2014	R.M.



Note: Made according to SAE specifications

UNLESS OTHERWISE SPECIFIED: DIMENSIONS ARE IN INCHES TOLERANCES		CEC INDUSTRIES LTD			
DECIMALS .XX ± .05		599 BOND STREET		LINCOLNSHIRE, IL 60069	
ANGULAR .XXX ± .010		TITLE LIGHT BULB NO. 895			
FRACTIONAL ± 1/64		DATE 10/23/2014		REV 1	
DRAWN ROSE MEDINA	CHECKED	SIZE A	FSCM NO.	DWG NO. 895	REV 1
DESIGN	SCALE	PLOT SCALE	SHEET 1 OF 1		
MATERIAL	FILE 895.pdf	DRAWING NOT TO SCALE			