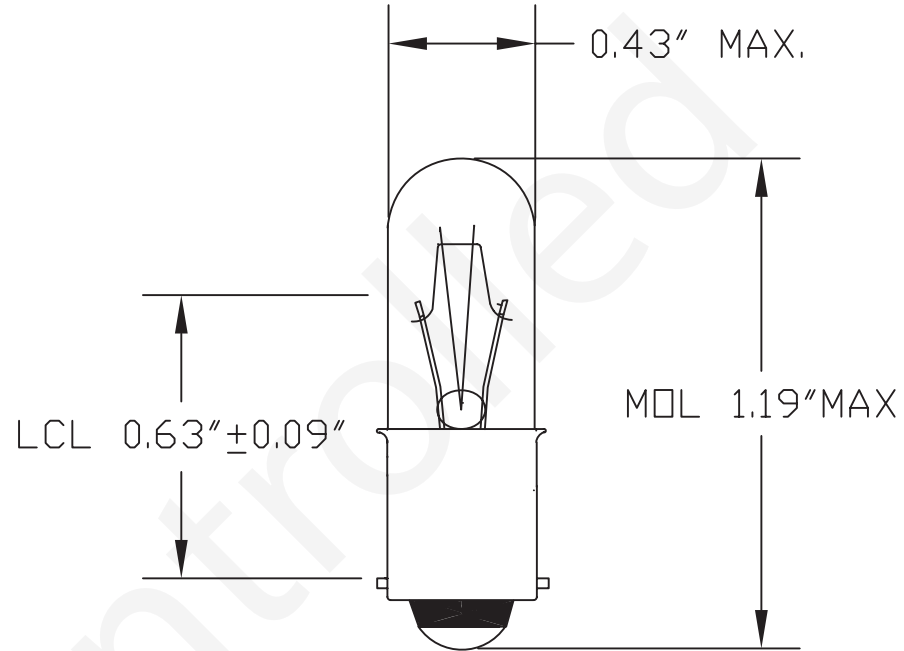


PART NO.	BASE TYPE	DESIGN VOLTS	DESIGN AMPS	MSCD	FILAMENT TYPE	AVG LIFE
757	MIN. BAYONET	28.0	0.08A ± 15%	0.62 ± 25%	C-2F	15000

REVISIONS				
ZONE	REV	DESCRIPTION	DATE	APPROVED



UNLESS OTHERWISE SPECIFIED: DIMENSIONS ARE IN INCHES TOLERANCES DECIMALS      ANGULAR .XX ± .05      ± 0.5° .XXX ± .010 FRACTIONAL      ± 1/64		<b>CEC INDUSTRIES LTD</b> 1537 ABBOTT DRIVE      WHEELING, IL 60090			
		TITLE LIGHT BULB NO. 757			
DRAWN Anna Soloveychik	DATE 01/24/02	SIZE A	FSCM NO.	DWG NO. 757.DWG	REV A
CHECKED		SCALE	PLOT SCALE	SHEET 1 OF 1	
DESIGN		FILE		DO NOT SCALE DRAWING	
MATERIAL		\_AUTO CAD FILES\757.DWG			