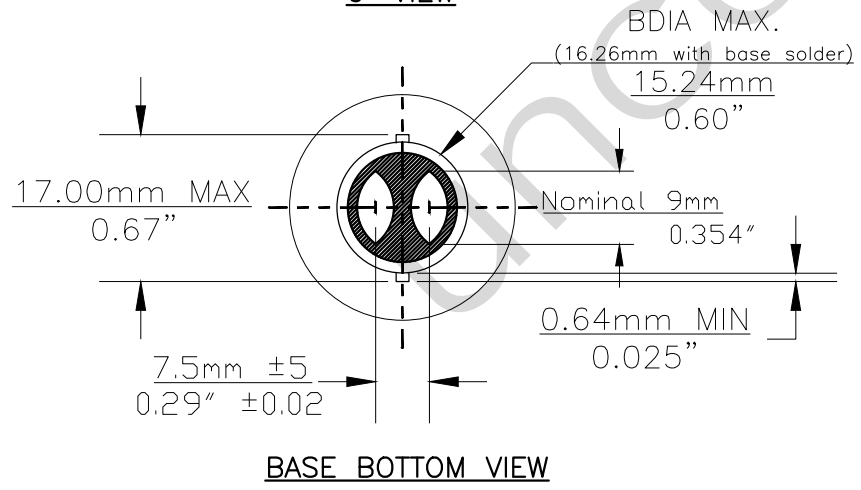
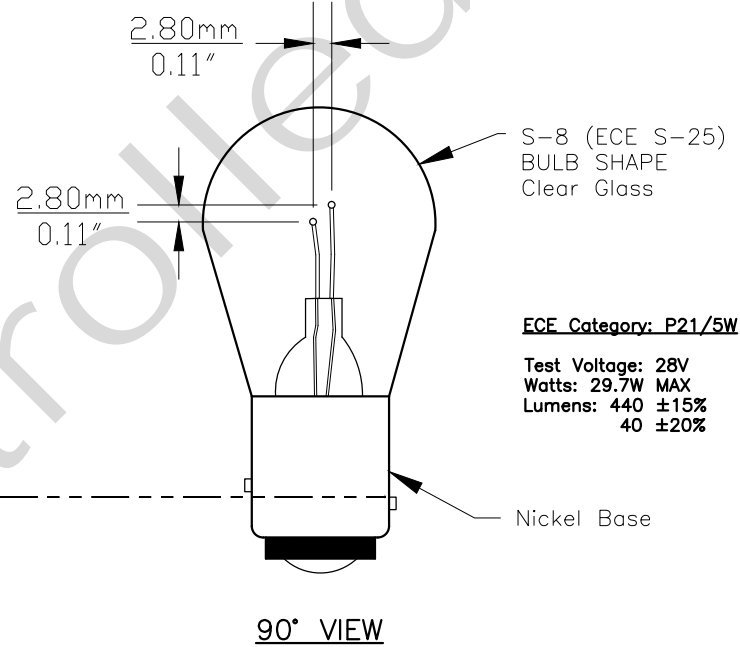
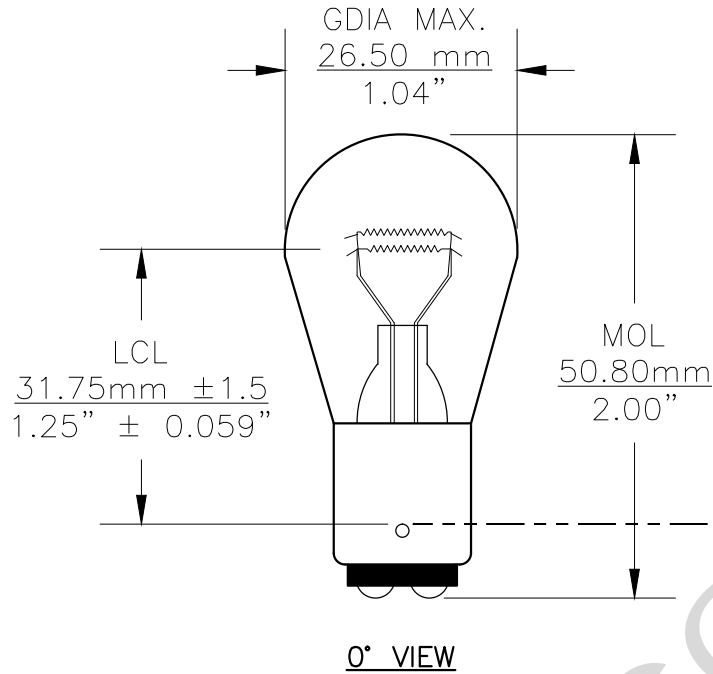




PART NO.	BASE TYPE	DESIGN VOLTS	DESIGN AMPS	MSCD	FILAMENT TYPE	AVERAGE LIFE HOURS
7537	D.C. INDEX BAY15d	24.0V 24.0V	0.88±6% 0.21±10%	35±15% 3.18±20%	C-6 C-6	150 1500

REVISIONS			
REV #	DESCRIPTION	DATE	APPROVED
1	ISSUED	10/31/2002	A.S.
2	ADDITION OF TEST VOLTAGE	05/09/2005	D.C.
3	REDRAWN FOR ADDITIONAL VIEWS	09/03/2014	R.M.
4	REVISED BDIA FROM 15.24mm	10/29/2019	R.M.



Note: Made according to ECE/R37 specifications

UNLESS OTHERWISE SPECIFIED: DIMENSIONS ARE IN INCHES TOLERANCES		CEC INDUSTRIES LTD	
DECIMALS	ANGULAR	599 BOND STREET LINCOLNSHIRE, IL 60069	
.XX ± .05	± 0.5°		
.XXX ± .010			
FRACTIONAL	±1/64		
DRAWN ANNA SOLOVEYCHIK	DATE 10/31/2002	TITLE LIGHT BULB NO. 7537 (P21/5W)	
CHECKED	SIZE A	FSCM NO.	DWG NO. 7537
DESIGN	SCALE	PLOT SCALE	REV 4
MATERIAL	FILE 7537.pdf	SHEET 1 OF 1	DRAWING NOT TO SCALE