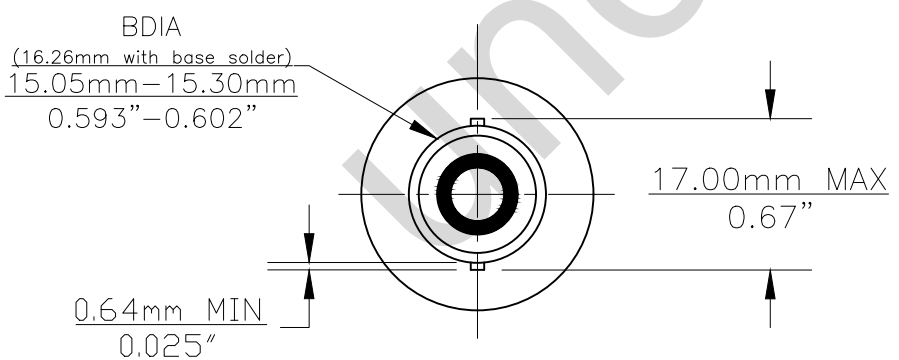
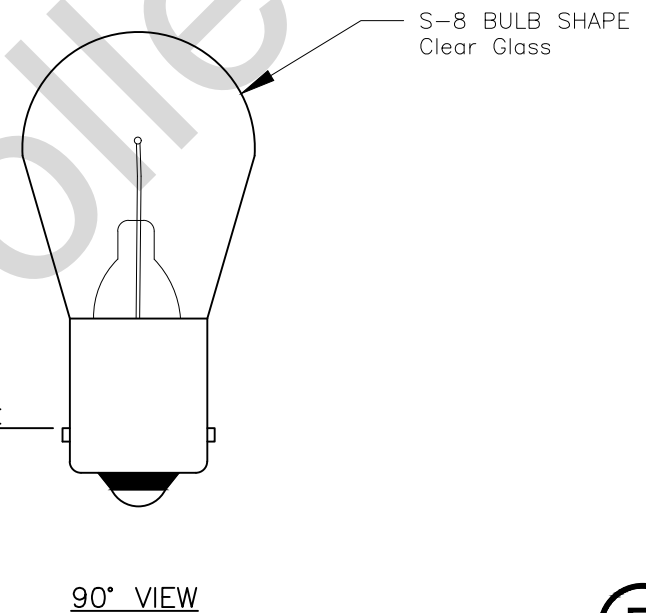
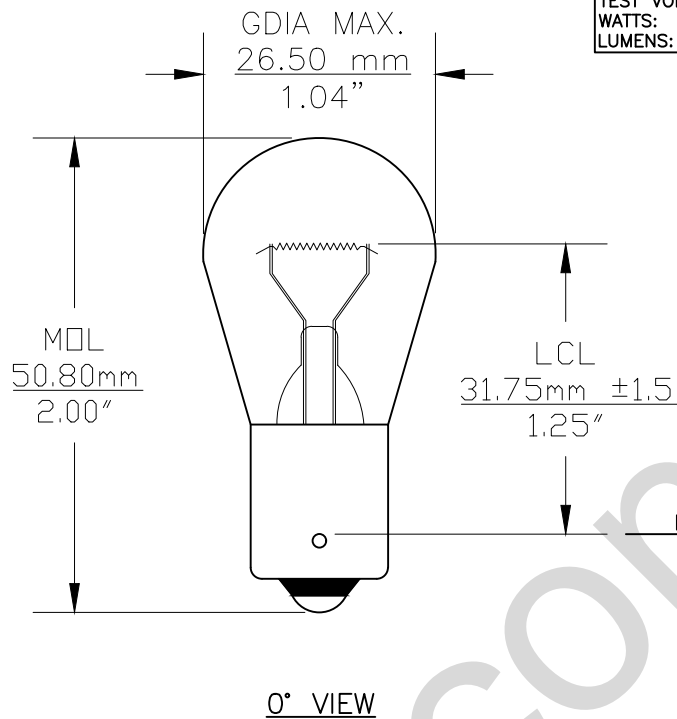




PART NO.	BASE TYPE	VOLTS	WATTS	FILAMENT TYPE	AVERAGE LIFE HOURS
7506	S.C. Bayonet (BA15s) (NICKEL)	12V	21	C-6	150

REVISIONS			
REV #	DESCRIPTION	DATE	APPROVED
1	ISSUED	12/28/2005	D.C.
2	NOTE: LEAD FREE	01/22/2008	D.C.
3	REVISED LIFE HOURS	02/04/2008	D.C.
4	UPDATED MOL, RoHS COMPLIANT	01/29/2009	S.L.
5	REDRAWN FOR ADDITIONAL VIEW	07/01/2014	R.M.
6	ADDED TEST VOLTS, WATTS, LUMENS, NICKEL BASE	10/31/2016	R.M.

TEST VOLTS: 13.5  
 WATTS: 26.5 MAX.  
 LUMENS: 460±15%



Note: Made according to ECE/R37 specifications



UNLESS OTHERWISE SPECIFIED: DIMENSIONS ARE IN INCHES TOLERANCES		CEC INDUSTRIES LTD	
DECIMALS .XX ± .05	ANGULAR .XXX ± .010	599 BOND STREET	LINCOLNSHIRE, IL 60069
FRACTIONAL ±1/64		TITLE LIGHT BULB NO. 7506 (P21W)	
DRAWN D.C.	DATE 12/28/2005	SIZE A	FSCM NO. DWG NO. 7506 REV 6
CHECKED		SCALE	PLOT SCALE SHEET 1 OF 1
DESIGN		FILE 7506.pdf	DRAWING NOT TO SCALE