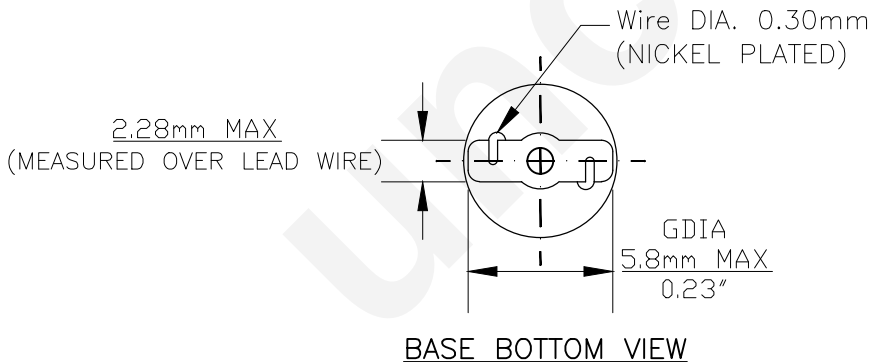
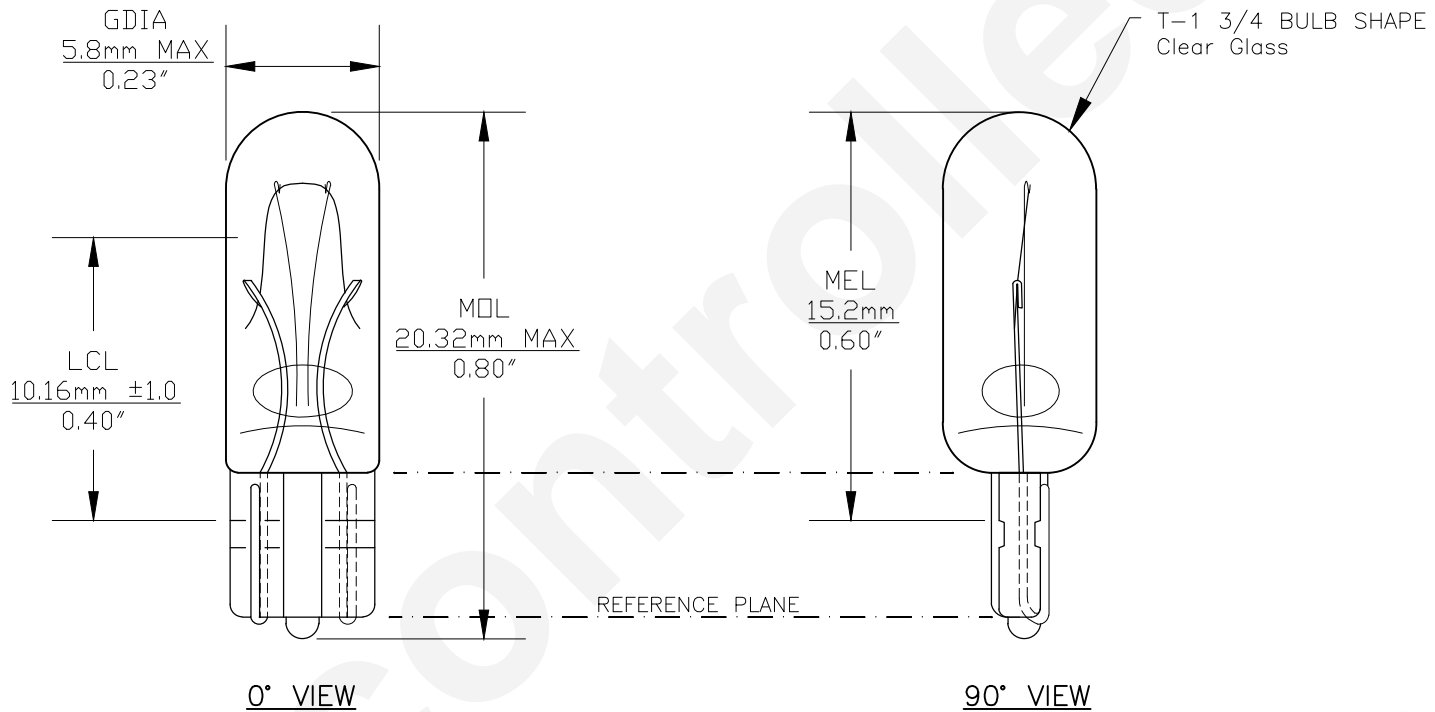




PART NO.	BASE TYPE	DESIGN VOLTS	DESIGN AMPS	MSCD	FILAMENT TYPE	AVERAGE LIFE HOURS	REVISIONS			
							REV #	DESCRIPTION	DATE	APPROVED
73	Sub-miniature Glass Wedge (T-1 3/4)	14.0V	0.08±15%	0.3±30%	C-2F	15,000	1	ISSUED	05/04/2001	S.L.
							2	REDRAWN	08/16/2005	D.C.
							3	REDRAWN, ADDED 90° VIEW	06/05/2014	R.M.



Note: Made according to SAE specifications



UNLESS OTHERWISE SPECIFIED: DIMENSIONS ARE IN INCHES TOLERANCES		CEC INDUSTRIES LTD	
DECIMALS	ANGULAR	599 BOND STREET LINCOLNSHIRE, IL 60069	
.XX ± .05	± 0.5°		
.XXX ± .010			
FRACTIONAL	± 1/64		
DRAWN SIDNEY LIU	DATE 05/04/2001	TITLE LIGHT BULB NO. 73	
CHECKED		SIZE A	REV 3
DESIGN	SCALE	FSCM NO.	DWG NO. 73
MATERIAL	FILE 73.pdf	PLOT SCALE	SHEET 1 OF 1
		DRAWING NOT TO SCALE	