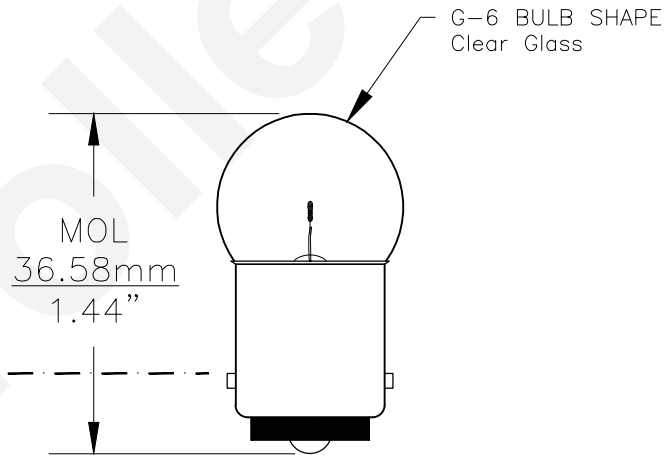
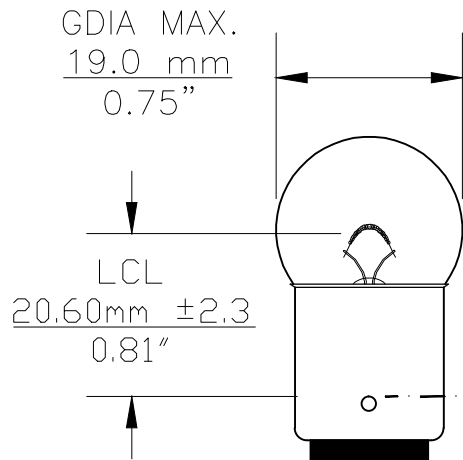
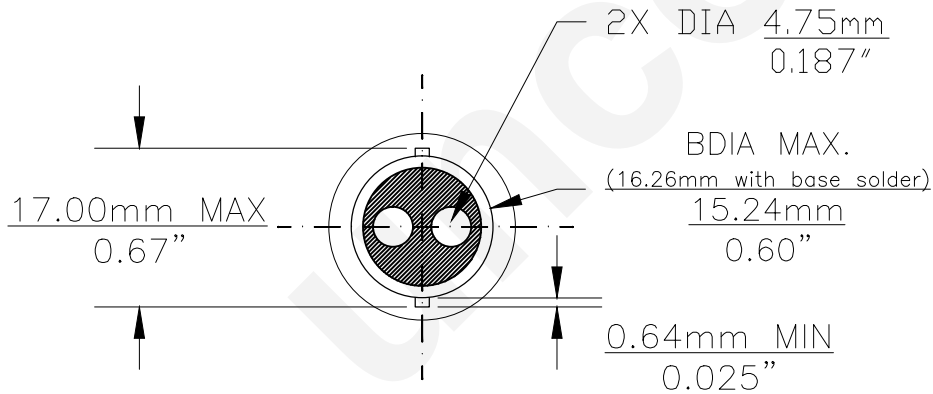




PART NO.	BASE TYPE	DESIGN VOLTS	DESIGN AMPS	MSCD	FILAMENT TYPE	AVERAGE LIFE HOURS	REVISIONS			
							REV #	DESCRIPTION	DATE	APPROVED
68	D.C. BAYONET (BA15d)	13.5V	0.59±8%	4 ±15%	C-2R	5000	1	ISSUED	12/02/2003	A.S.
							2	GDIA MAX, LCL TOLERANCE, BASE DESCRIPTION	09/24/2009	D.C.



REFERENCE PLANE



Note: Made according to SAE specifications

UNLESS OTHERWISE SPECIFIED: DIMENSIONS ARE IN INCHES TOLERANCES		CEC INDUSTRIES LTD	
DECIMALS .XX ± .05	ANGULAR ± 0.5°	599 BOND STREET	LINCOLNSHIRE, IL 60069
.XXX ± .010	FRACTIONAL ± 1/64	TITLE LIGHT BULB NO. 68	
DRAWN ANNA SOLOVEYCHIK	DATE 12/02/2003	SIZE A	FSCM NO. 68
CHECKED		DWG NO. 68	REV 2
DESIGN	SCALE	PLOT SCALE	SHEET 1 OF 1
MATERIAL	FILE 68.pdf	DRAWING NOT TO SCALE	