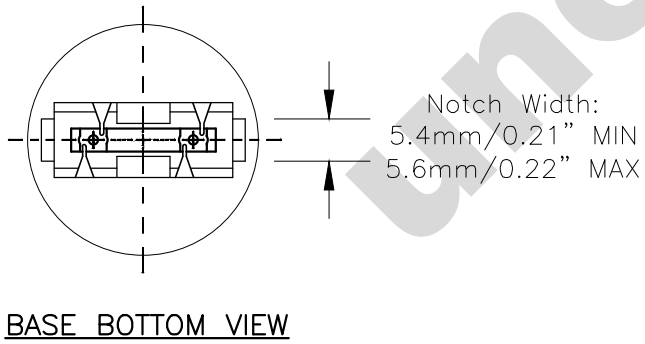
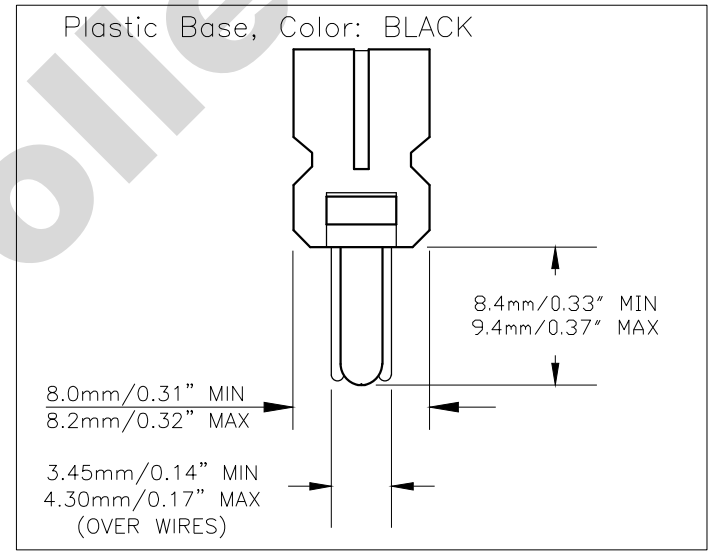
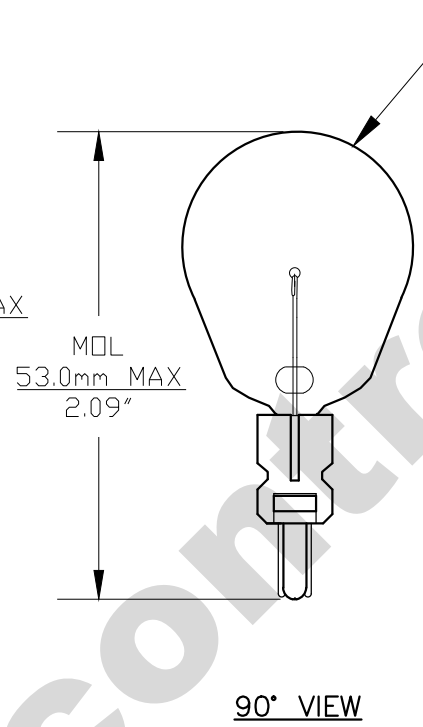
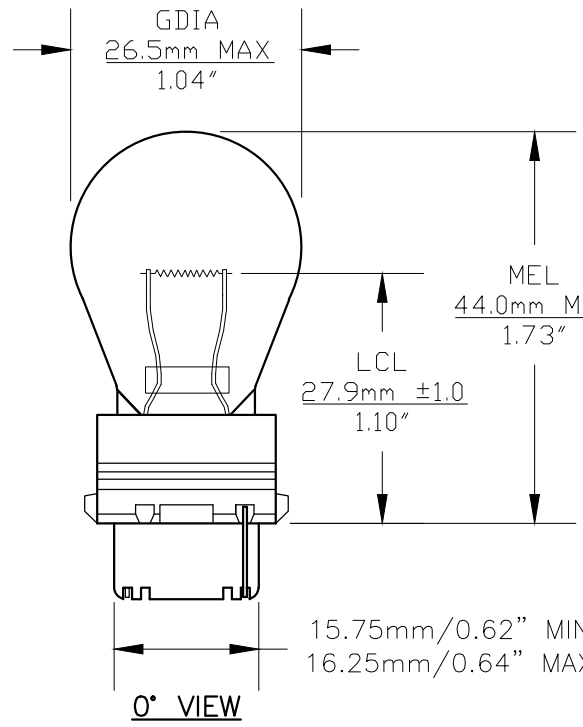




Since 1959

PART NO.	BASE TYPE	DESIGN VOLTS	DESIGN AMPS	MSCD	FILAMENT TYPE	AVERAGE LIFE HOURS	REVISIONS			
							REV #	DESCRIPTION	DATE	APPROVED
4156LL	S.F. Plastic Wedge W2.5X16d	12.8V	2.23±5%	24±30%	C-6	4000	1	ISSUED	05/22/2014	R.M.



Note: Made according to SAE specifications



UNLESS OTHERWISE SPECIFIED: DIMENSIONS ARE IN INCHES TOLERANCES		CEC INDUSTRIES LTD			
DECIMALS	ANGULAR	599 BOND STREET		LINCOLNSHIRE, IL 60069	
.XX ± .05	± 0.5°	TITLE LIGHT BULB NO. 4156LL			
.XXX ± .010		DATE 05/22/2014	SIZE A	FSCM NO.	DWG NO. 4156LL
FRACTIONAL	±1/64	CHECKED	SCALE	PLOT SCALE	REV 1
DRAWN ROSE MEDINA		DESIGN		SHEET 1 OF 1	
MATERIAL		FILE 4156LL.pdf		DRAWING NOT TO SCALE	