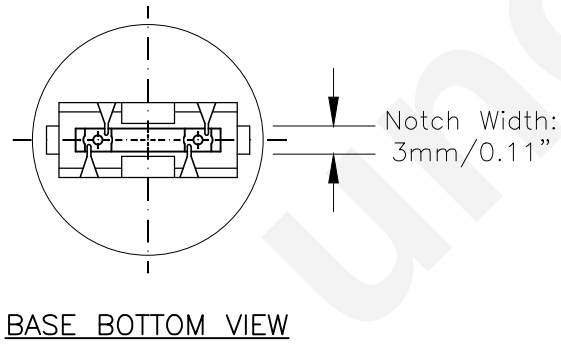
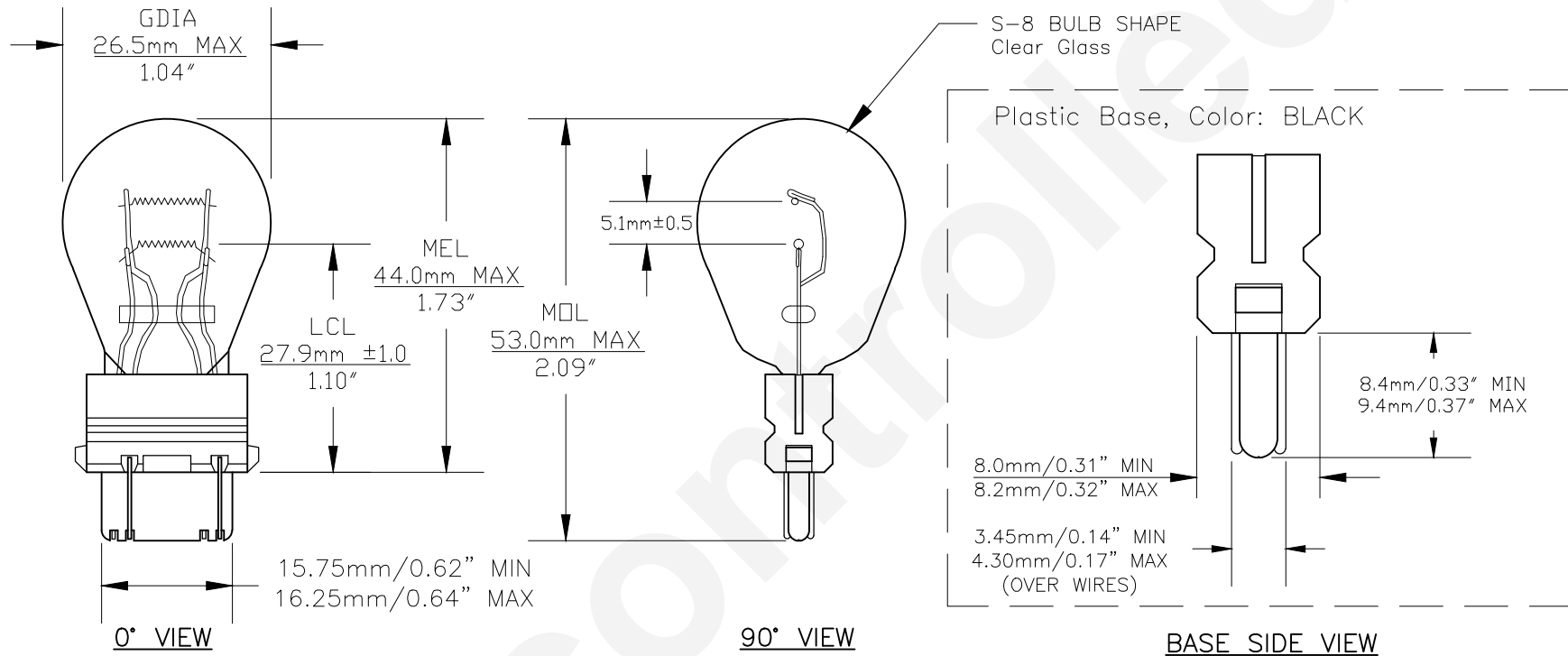




PART NO.	BASE TYPE	DESIGN VOLTS	DESIGN AMPS	MSCD	FILAMENT TYPE	AVERAGE LIFE HOURS	REVISIONS			
							REV #	DESCRIPTION	DATE	APPROVED
4114LL	D.F. Plastic Wedge W2.5X16q	14.0V 14.0V	2.23±8% 0.59±8%	32±10% 3 ±12%	C-6 C-6	4000 10000	1	ISSUED	05/22/2014	R.M.
							2	ADDED DISTANCE BETWEEN FILAMENTS	03/23/2018	R.M.



Note: Made according to SAE specifications



UNLESS OTHERWISE SPECIFIED: DIMENSIONS ARE IN INCHES TOLERANCES		CEC INDUSTRIES LTD			
DECIMALS .XX ± .05		599 BOND STREET		LINCOLNSHIRE, IL 60069	
ANGULAR .XXX ± .010		TITLE LIGHT BULB NO. 4114LL			
FRACTIONAL ±1/64		SIZE A	FSCM NO.	DWG NO. 4114LL	REV 2
DRAWN R. M.	DATE 05/22/2014	SCALE	PLOT SCALE	SHEET 1 OF 1	
CHECKED		FILE 4114LL.pdf	DRAWING NOT TO SCALE		