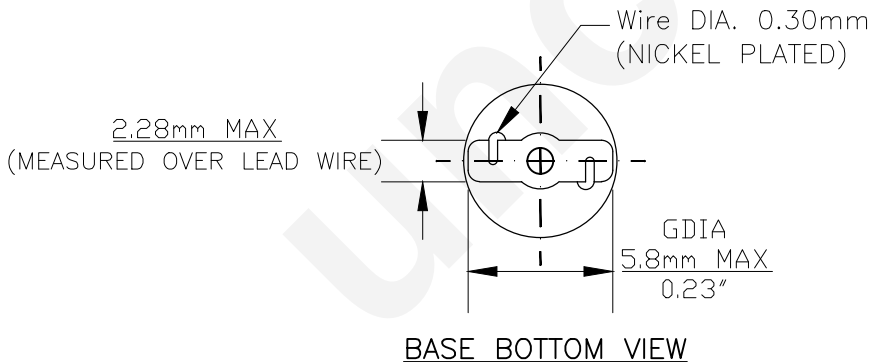
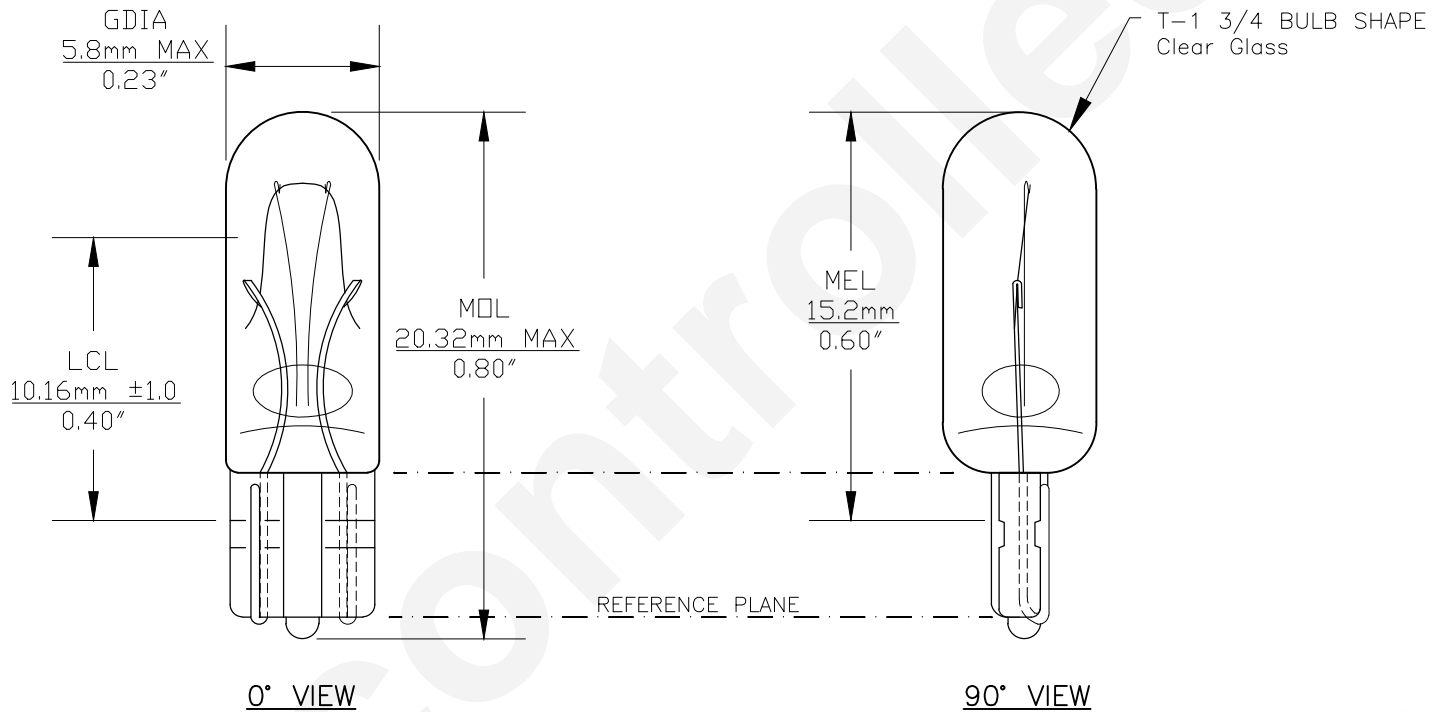




| PART NO. | BASE TYPE                           | DESIGN VOLTS | DESIGN AMPS | MSCD    | FILAMENT TYPE | AVERAGE LIFE HOURS | REVISIONS |                         |            |          |
|----------|-------------------------------------|--------------|-------------|---------|---------------|--------------------|-----------|-------------------------|------------|----------|
|          |                                     |              |             |         |               |                    | REV #     | DESCRIPTION             | DATE       | APPROVED |
| 37       | Sub-miniature Glass Wedge (T-1 3/4) | 14.0V        | 0.09±15%    | 0.5±20% | C-2F          | 2500               | 1         | REDRAWN                 | 08/16/2005 | D.C.     |
|          |                                     |              |             |         |               |                    | 2         | REDRAWN, ADDED 90° VIEW | 06/05/2014 | R.M.     |



Note: Made according to SAE specifications



|   |                   |                         |                           |
|---|-------------------|-------------------------|---------------------------|
| UNLESS OTHERWISE SPECIFIED:<br>DIMENSIONS ARE IN INCHES<br>TOLERANCES |                   | CEC INDUSTRIES LTD      |                           |
| DECIMALS .XX ± .05  | ANGULAR ± 0.5°    | 599 BOND STREET         | LINCOLNSHIRE, IL 60069    |
| .XXX ± .010   | FRACTIONAL ± 1/64 | TITLE LIGHT BULB NO. 37 |                           |
| DRAWN MARIA M VARGAS  | DATE 05/04/2001   | SIZE A                  | FSCM NO. DWG NO. 37 REV 2 |
| CHECKED   | DESIGN            | SCALE                   | PLOT SCALE SHEET 1 OF 1   |
| MATERIAL  | FILE 37.pdf       | DRAWING NOT TO SCALE    |                           |