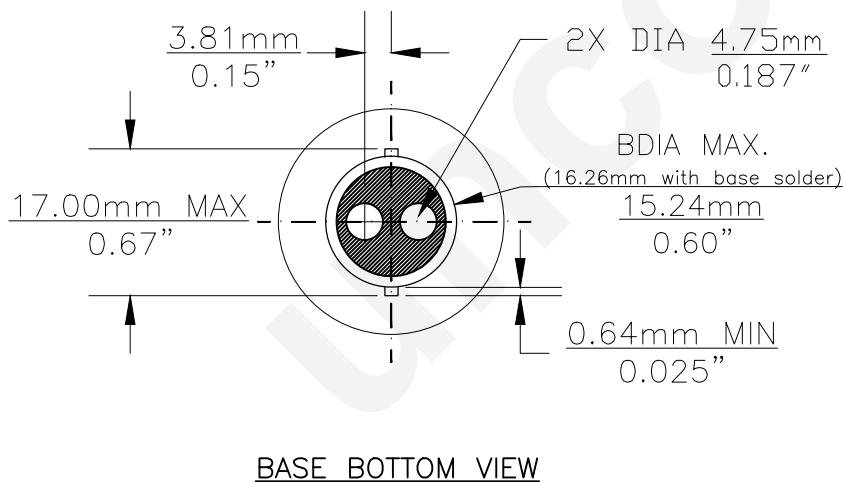
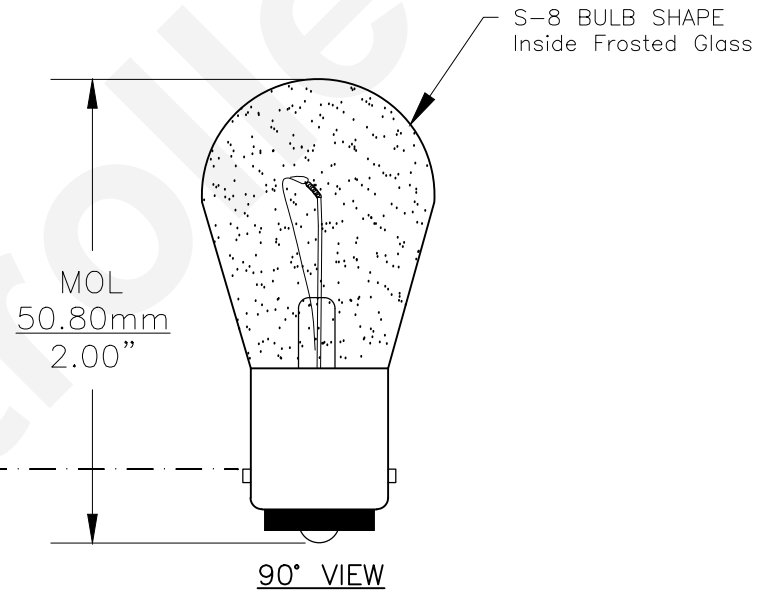
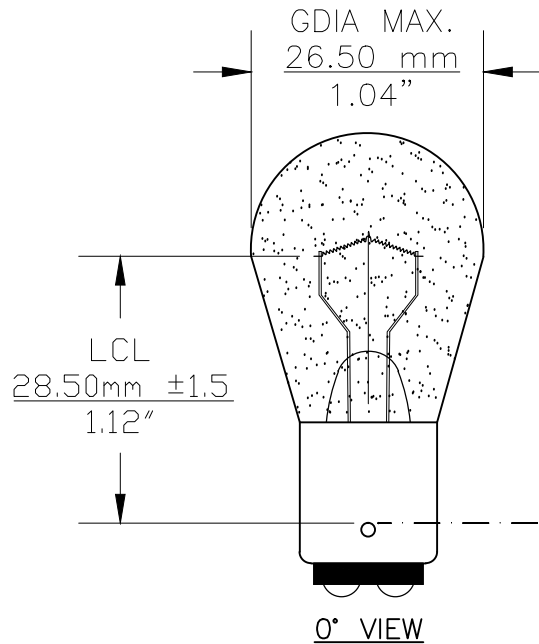




PART NO.	BASE TYPE	DESIGN VOLTS	DESIGN AMPS	MSCD	FILAMENT TYPE	AVERAGE LIFE HOURS	REVISIONS			
							REV #	DESCRIPTION	DATE	APPROVED
308IF	D.C. BAYONET (BA15d)	28.0V	0.67±10%	21±15%	C-2V	300	1	ISSUED	10/24/2014	R.M.



Note: Made according to SAE specifications

UNLESS OTHERWISE SPECIFIED: DIMENSIONS ARE IN INCHES TOLERANCES		CEC INDUSTRIES LTD			
DECIMALS .XX ± .05		599 BOND STREET		LINCOLNSHIRE, IL 60069	
ANGULAR .XXX ± .010		TITLE LIGHT BULB NO. 308IF			
FRACTIONAL ±1/64		SIZE A	FSCM NO.	DWG NO. 308IF	REV 1
DRAWN ROSE MEDINA	DATE 10/24/2014	SCALE	PLOT SCALE	SHEET 1 OF 1	
MATERIAL		FILE 308IF.pdf	DRAWING NOT TO SCALE		