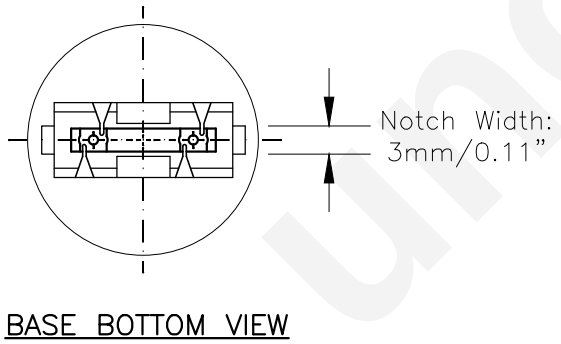
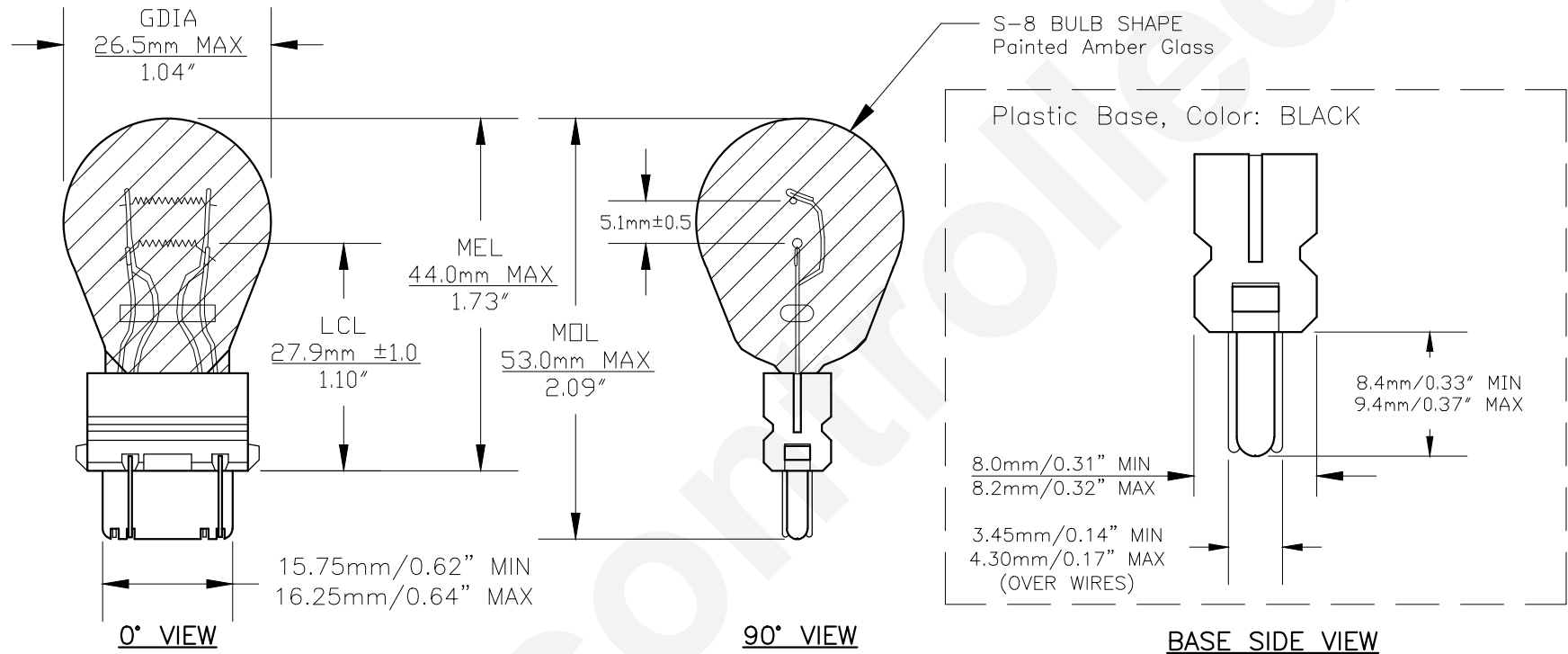




PART NO.	BASE TYPE	DESIGN VOLTS	DESIGN AMPS	MSCD	FILAMENT TYPE	AVERAGE LIFE HOURS
3057A	D.F. Plastic Wedge W2.5X16q	12.8V 14.0V	2.10±5% 0.48±8%	24±30% 1.6±30%	C-6 C-6	1200 5000

REVISIONS			
REV #	DESCRIPTION	DATE	APPROVED
1	ISSUED	05/21/2014	R.M.
2	ADDED FILAMENT DISTANCE DIMENSIONS	10/04/2018	R.M.



UNLESS OTHERWISE SPECIFIED: DIMENSIONS ARE IN INCHES TOLERANCES		CEC INDUSTRIES LTD	
DECIMALS .XX ± .05	ANGULAR ± 0.5°	599 BOND STREET	LINCOLNSHIRE, IL 60069
.XXX ± .010	FRACTIONAL ± 1/64	TITLE LIGHT BULB NO. 3057A	
DRAWN R. M.	DATE 05/21/2014	SIZE A	FSCM NO. DWG NO. 3057A REV 2
CHECKED	DESIGN	SCALE	PLOT SCALE SHEET 1 OF 1
MATERIAL	FILE 3057A.pdf	DRAWING NOT TO SCALE	