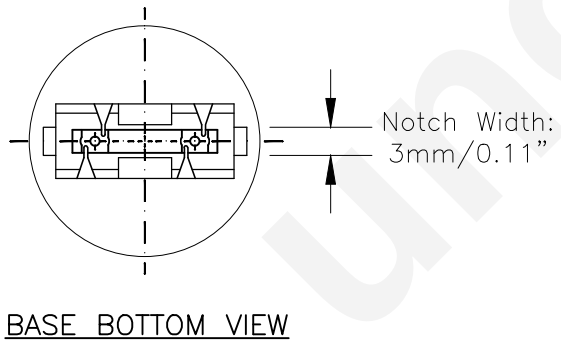
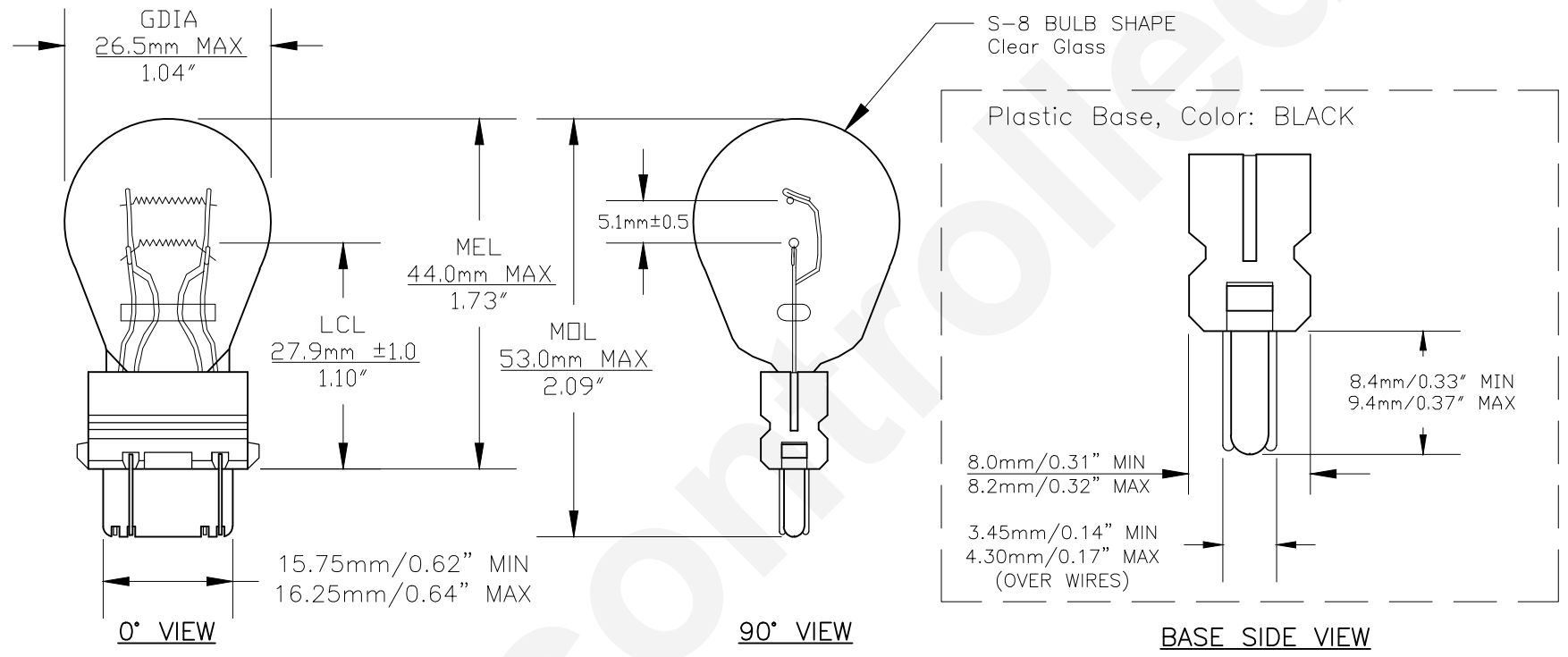




PART NO.	BASE TYPE	DESIGN VOLTS	DESIGN AMPS	MSCD	FILAMENT TYPE	AVERAGE LIFE HOURS	REVISIONS			
							REV #	DESCRIPTION	DATE	APPROVED
3047	D.F. Plastic Wedge W2.5X16q	12.8V 14.0V	1.60 ±8% 0.48 ±8%	21±10% 2 ±12%	C-6 C-6	1500 5000	1	ISSUED	05/22/2009	D.C.
							2	ADDED FILAMENT DISTANCE DIMENSIONS	10/04/2018	R.M.



Note: Made according to SAE specifications



UNLESS OTHERWISE SPECIFIED: DIMENSIONS ARE IN INCHES TOLERANCES		CEC INDUSTRIES LTD	
DECIMALS	ANGULAR	599 BOND STREET LINCOLNSHIRE, IL 60069	
.XX ± .05	± 0.5°	TITLE LIGHT BULB NO. 3047	
.XXX ± .010		SIZE A	REV 2
FRACTIONAL	±1/64	FSCM NO.	DWG NO. 3047
DRAWN D. C.	DATE 05/22/2009	SCALE	SHEET 1 OF 1
CHECKED		PLOT SCALE	DRAWING NOT TO SCALE
DESIGN		FILE 3047.pdf	
MATERIAL			