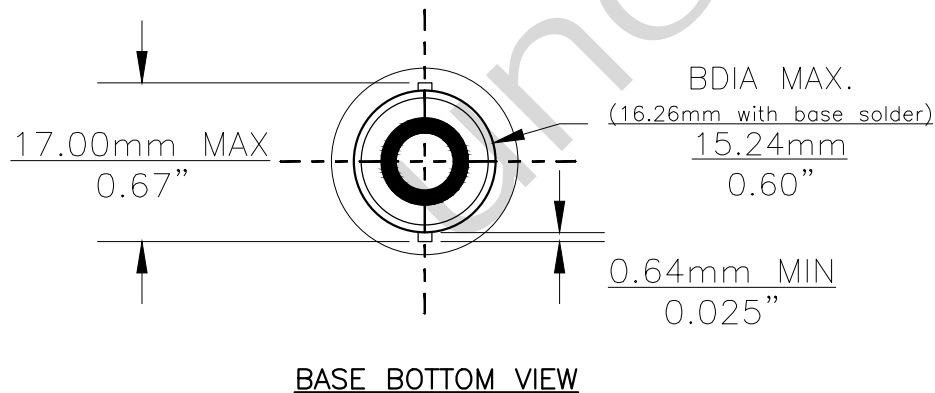
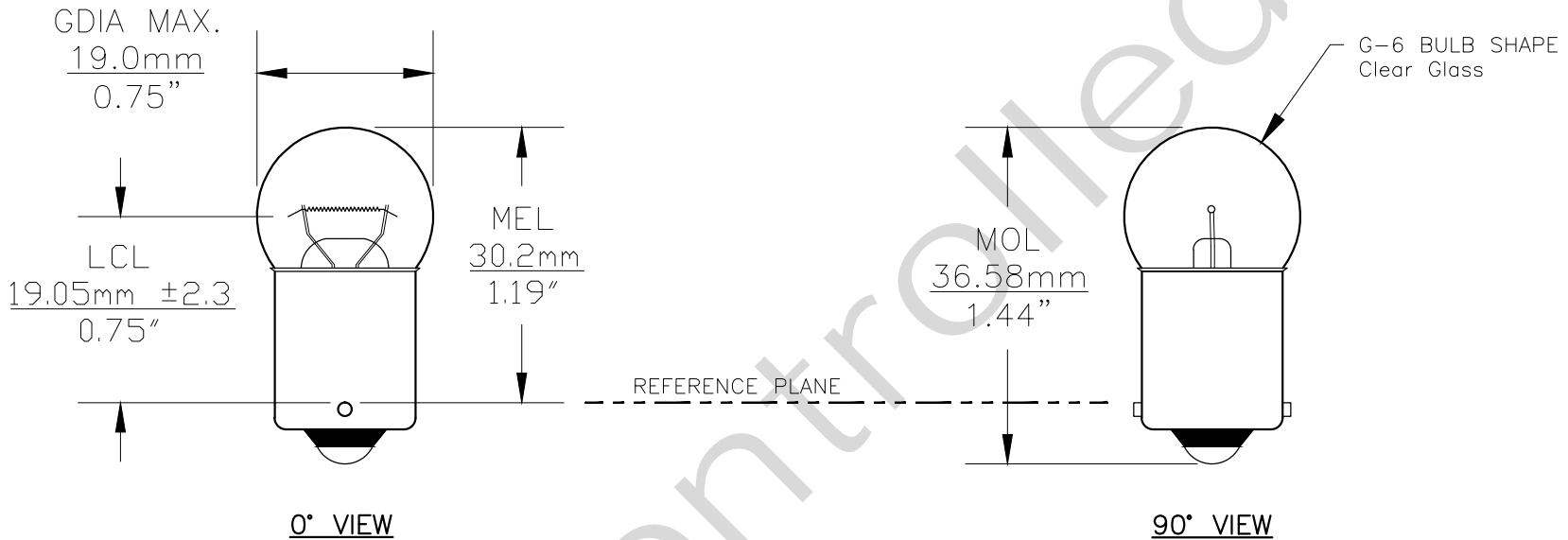




PART NO.	BASE TYPE	DESIGN VOLTS	DESIGN AMPS	MSCD	FILAMENT TYPE	AVERAGE LIFE HOURS	REVISIONS			
							REV #	DESCRIPTION	DATE	APPROVED
303	S.C. BAYONET (BA15s)	28.0V	0.3±20%	6 ±25%	C-6	500	1	ISSUED	10/31/2014	R.M.
							2	REVISED AMPS/FILAMENT C-2V TO C-6	10/29/2020	R.M.



Note: Made according to SAE specifications

UNLESS OTHERWISE SPECIFIED: DIMENSIONS ARE IN INCHES TOLERANCES		CEC INDUSTRIES LTD			
DECIMALS .XX ± .05	ANGULAR ± 0.5°	599 BOND STREET		LINCOLNSHIRE, IL 60069	
.XXX ± .010	FRACTIONAL ± 1/64	TITLE LIGHT BULB NO. 303			
DRAWN ROSE MEDINA	DATE 10/31/2014	SIZE A	FSCM NO.	DWG NO. 303	REV 2
DESIGN	SCALE	PLOT SCALE	SHEET 1 OF 1		
MATERIAL	FILE 303.pdf	DRAWING NOT TO SCALE			