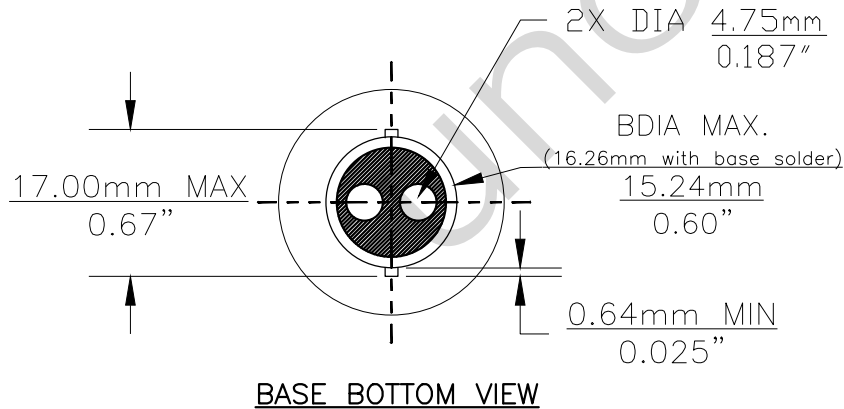
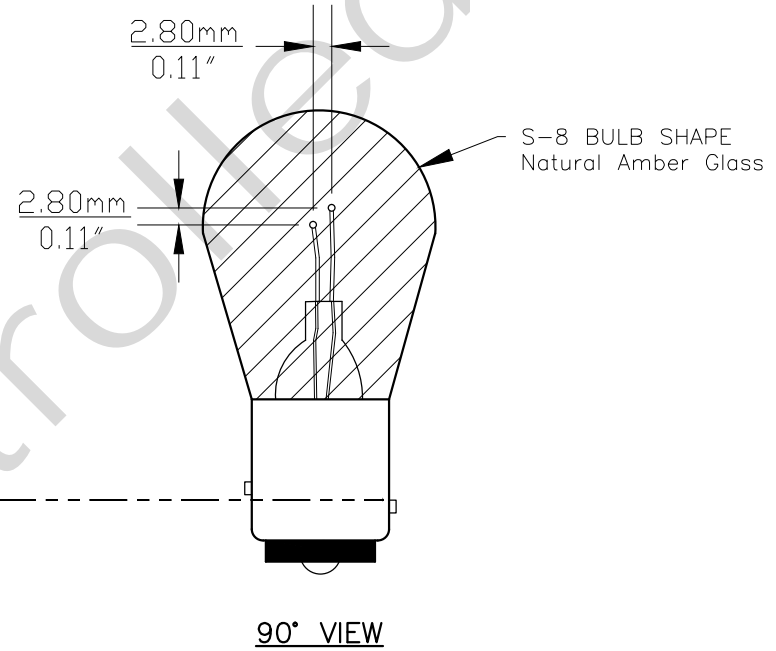
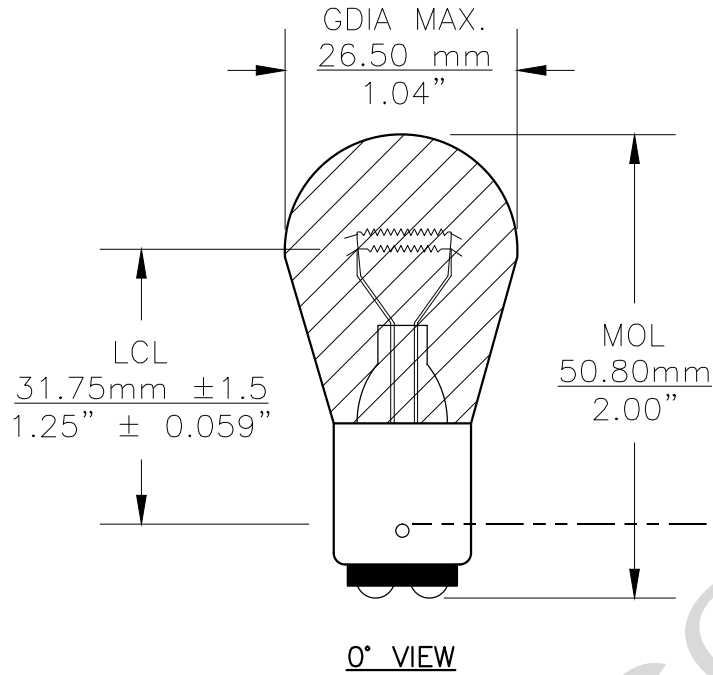




Since 1959

PART NO.	BASE TYPE	DESIGN VOLTS	DESIGN AMPS	MSCD	FILAMENT TYPE	AVERAGE LIFE HOURS	REVISIONS			
							REV #	DESCRIPTION	DATE	APPROVED
2357NALL	D.C. INDEX BAY15d	12.8V 14V	2.2±5% 0.59±8%	30±30% 2.2±30%	C-6 C-6	800 10,000	1	ISSUED	07/02/2009	D.C.



Note: Made according to SAE specifications

UNLESS OTHERWISE SPECIFIED: DIMENSIONS ARE IN INCHES TOLERANCES		CEC INDUSTRIES LTD			
DECIMALS .XX ± .05 .XXX ± .010 FRACTIONAL ±1/64	ANGULAR ± 0.5°	599 BOND STREET		LINCOLNSHIRE, IL 60069	
DRAWN D.C.	DATE 07/02/2009	TITLE LIGHT BULB NO. 2357NALL			
CHECKED	SIZE A	FSCM NO.	DWG NO. 2357NALL	REV 1	
DESIGN	SCALE	PLOT SCALE	SHEET 1 OF 1		
MATERIAL	FILE 2357NALL.pdf	DRAWING NOT TO SCALE			