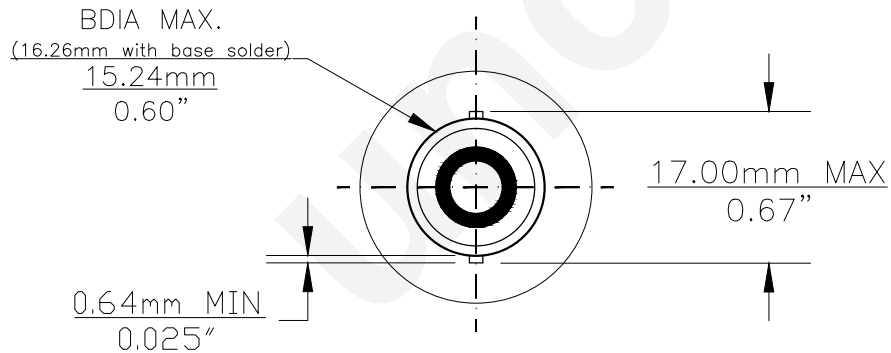
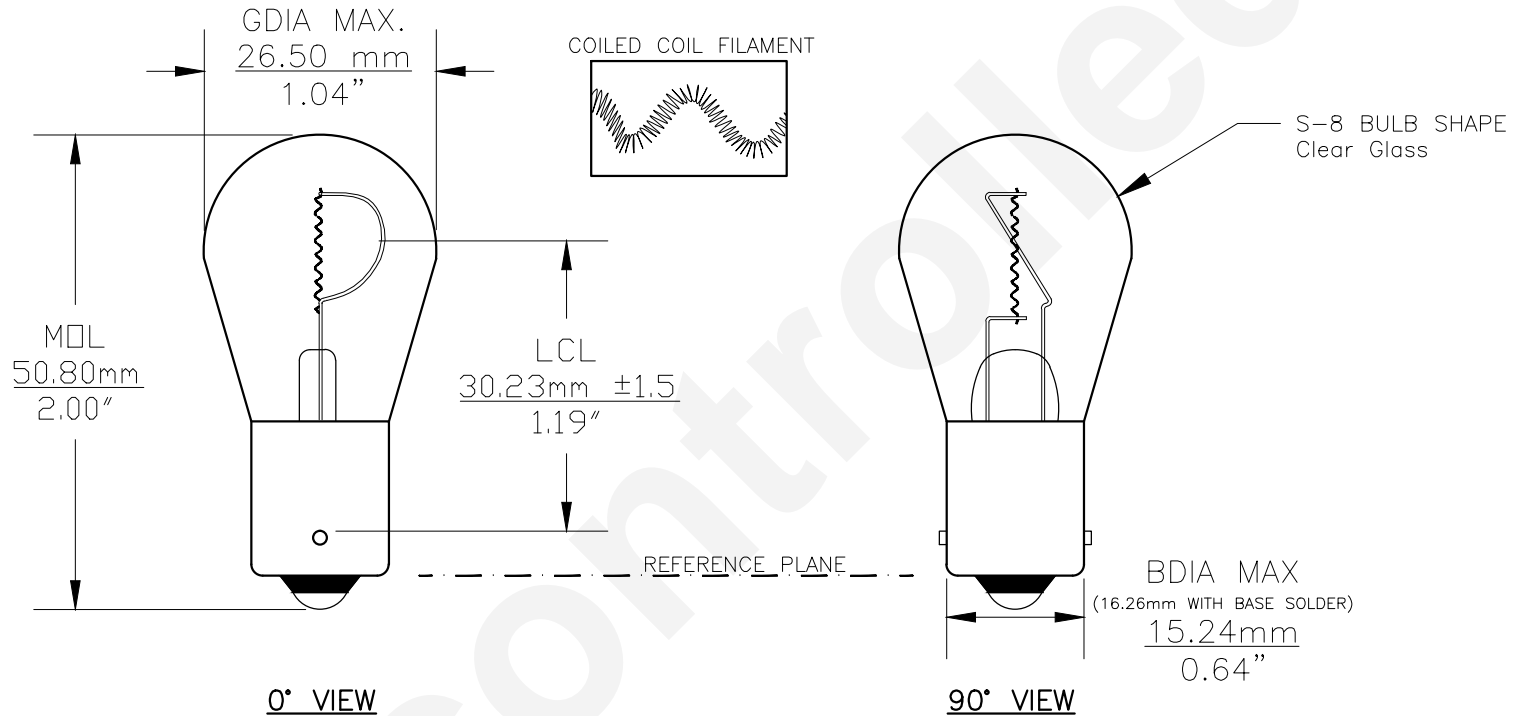




PART NO.	BASE TYPE	DESIGN VOLTS	DESIGN AMPS	MSCD	FILAMENT TYPE	AVERAGE LIFE HOURS	REVISIONS			
							REV #	DESCRIPTION	DATE	APPROVED
2232	S.C. Bayonet (BA15s)	28.0V	0.64±5%	18±10%	CC-8	2,000	1	ISSUED	10/22/2014	R.M.



Note: Made according to SAE specifications



UNLESS OTHERWISE SPECIFIED: DIMENSIONS ARE IN INCHES TOLERANCES		CEC INDUSTRIES LTD			
DECIMALS	ANGULAR	599 BOND STREET		LINCOLNSHIRE, IL 60069	
.XX ± .05	± 0.5°	TITLE LIGHT BULB NO. 2232			
.XXX ± .010		SIZE A	FSCM NO.	DWG NO. 2232	REV 1
FRACTIONAL	±1/64	CHECKED	SCALE	PLOT SCALE	SHEET 1 OF 1
DRAWN ROSE MEDINA DATE 10/22/2014		MATERIAL			
FILE 2232.pdf		DRAWING NOT TO SCALE			