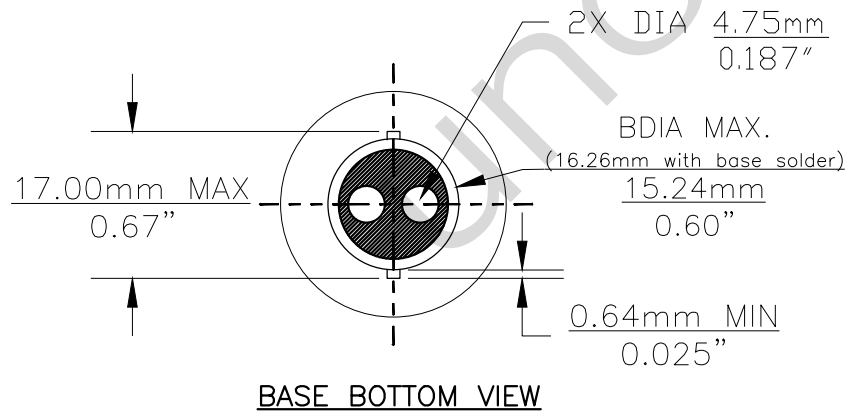
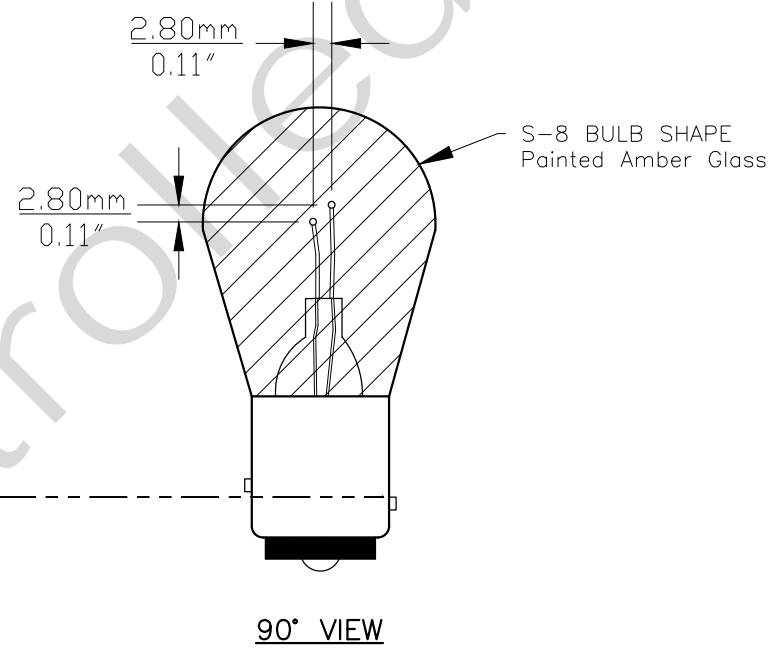
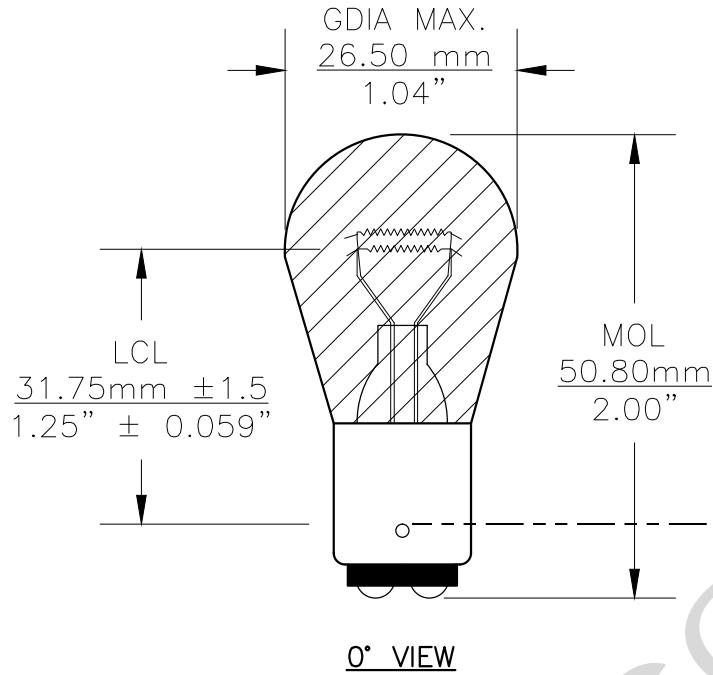




Since 1959

PART NO.	BASE TYPE	DESIGN VOLTS	DESIGN AMPS	MSCD	FILAMENT TYPE	AVERAGE LIFE HOURS	REVISIONS			
							REV #	DESCRIPTION	DATE	APPROVED
2057A	D.C. INDEX BAY15d	12.8V 14V	2.1±5% 0.48±8%	24±30% 1.5±30%	C-6 C-6	1200 5000	1	ISSUED	05/19/2014	R.M.



UNLESS OTHERWISE SPECIFIED: DIMENSIONS ARE IN INCHES TOLERANCES		CEC INDUSTRIES LTD			
DECIMALS .XX ± .05		ANGULAR ± 0.5°		599 BOND STREET LINCOLNSHIRE, IL 60069	
.XXX ± .010		FRACTIONAL ± 1/64		TITLE LIGHT BULB NO. 2057A	
DRAWN ROSE MEDINA	DATE 05/19/2014	SIZE A	FSCM NO.	DWG NO. 2057A	REV 1
CHECKED	DESIGN	SCALE	PLOT SCALE	SHEET 1 OF 1	
MATERIAL	FILE 2057A.pdf	DRAWING NOT TO SCALE			