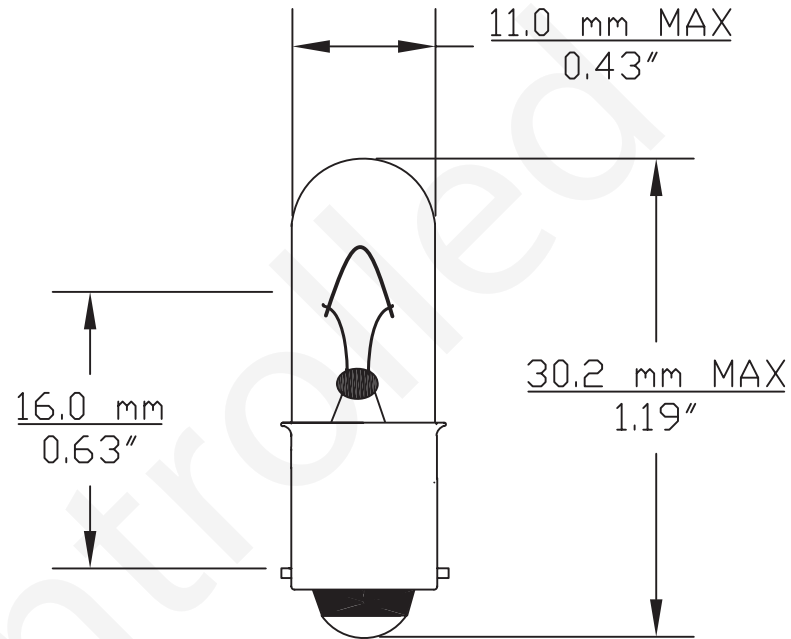


PART NO.	BASE TYPE	DESIGN VOLTS	DESIGN AMPS	MSCD	FILAMENT TYPE	AVG LIFE
1906	T3-1/4 MIN. BAYONET	5.0	0.07 ± 20%	0.19 ± 15%	C-2R	1000

REVISIONS			
REV	DESCRIPTION	DATE	APPROVED
1	Review	2-21-2008	S.L.



UNLESS OTHERWISE SPECIFIED: DIMENSIONS ARE IN INCHES TOLERANCES		CEC INDUSTRIES LTD			
DECIMALS .XX ± .05		599 BOND STREET LINCOLNSHIRE, IL 60069			
ANGULAR ± 0.5°		TITLE			
.XXX ± .010		LIGHT BULB NO. 1906			
FRACTIONAL ± 1/64					
DRAWN Elizabeth Sonanes	DATE 03/09/2001	SIZE A	FSCM NO.	DWG NO. 1906.DWG	REV 1
CHECKED		SCALE	PLOT SCALE	SHEET 1 OF 1	
DESIGN		FILE Disk3\1906.DWG		DO NOT SCALE DRAWING	