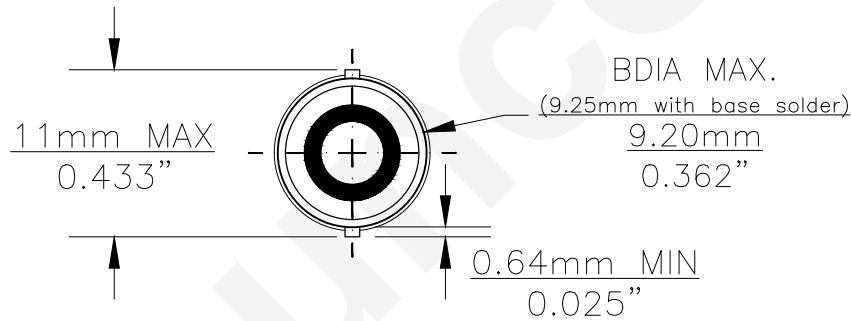
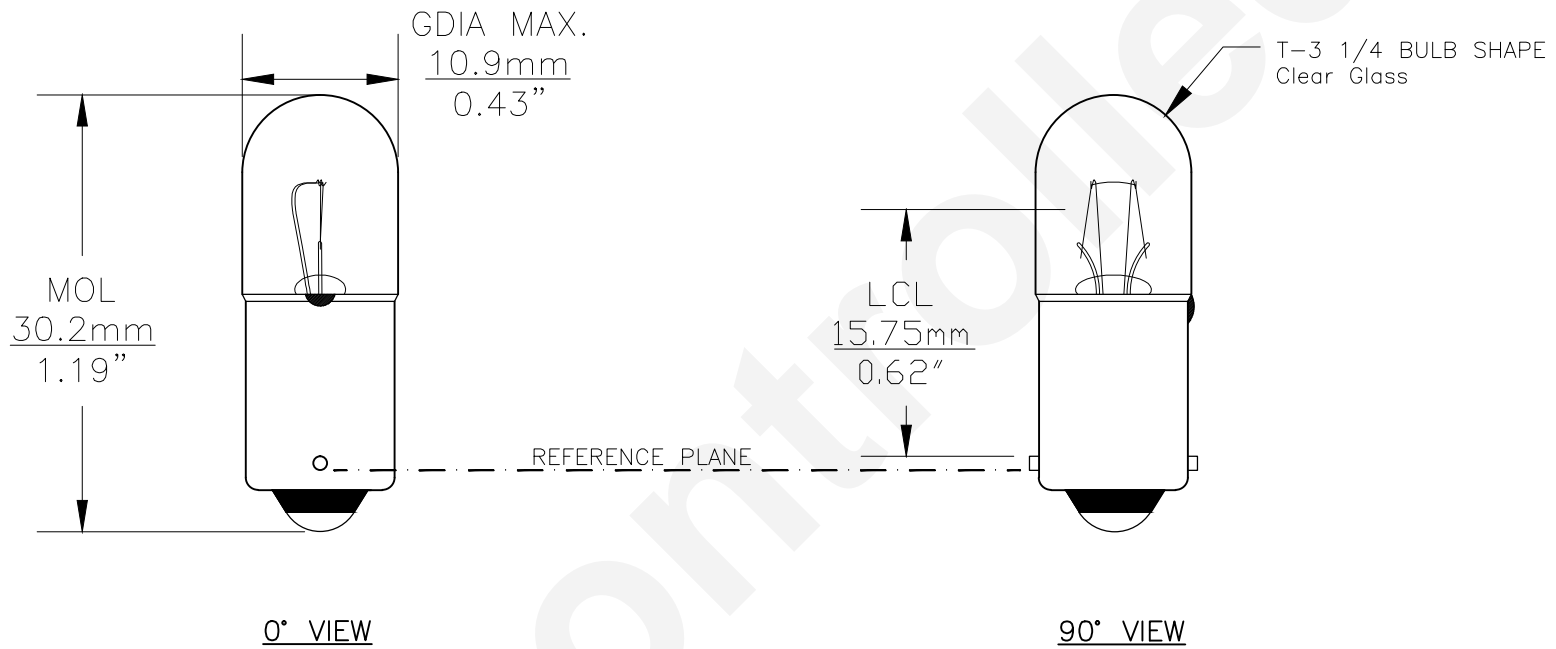




PART NO.	BASE TYPE	DESIGN VOLTS	DESIGN AMPS	MSCD	FILAMENT TYPE	AVERAGE LIFE HOURS	REVISIONS			
							REV #	DESCRIPTION	DATE	APPROVED
1893	MINIATURE BAYONET (BA9s)	14.0V	0.33±20%	2.0±20%	C-2F	7500	1	VERIFIED LAMP DIMENSIONS	10/04/2002	A.S.
							2	ADDRESS CHANGE	12/05/2005	D.C.



Note: Made according to SAE specifications

UNLESS OTHERWISE SPECIFIED: DIMENSIONS ARE IN INCHES TOLERANCES		CEC INDUSTRIES LTD			
DECIMALS	ANGULAR	599 BOND STREET		LINCOLNSHIRE, IL 60069	
.XX ± .05	± 0.5°				
.XXX ± .010					
FRACTIONAL	± 1/64				
DRAWN ELIZABETH SONANES	DATE 12/12/2001	TITLE LIGHT BULB NO. 1893			
CHECKED	SIZE A	FSCM NO.	DWG NO. 1893	REV 1	
DESIGN	SCALE	PLOT SCALE	SHEET 1 OF 1		
MATERIAL	FILE 1893.pdf	DRAWING NOT TO SCALE			