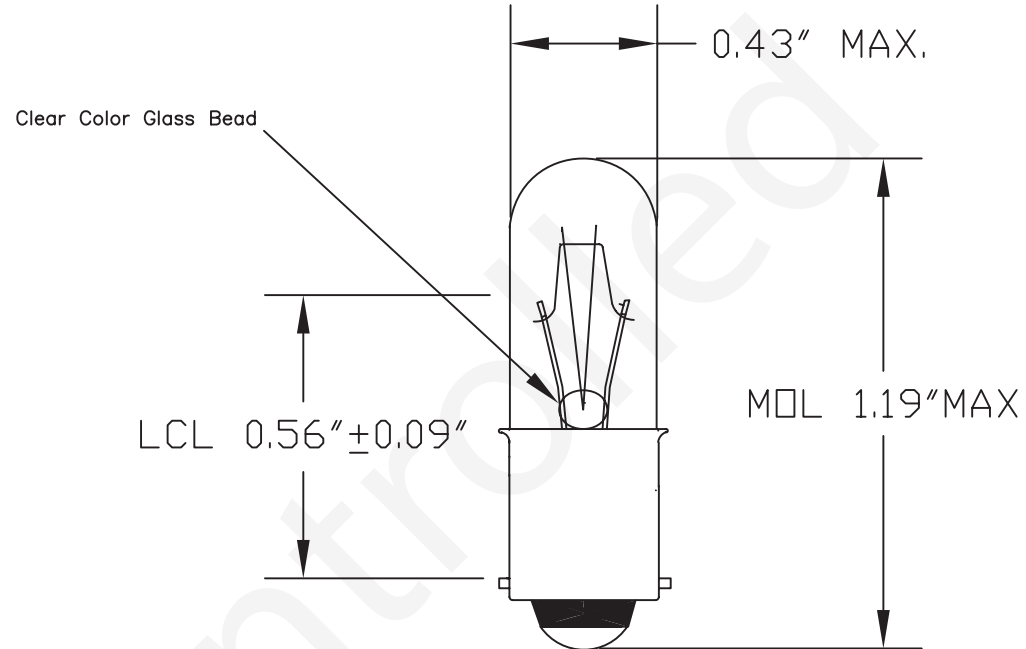


PART NO.	BASE TYPE	DESIGN VOLTS	DESIGN AMPS	MSCD	FILAMENT TYPE	AVG LIFE
1889	MIN. BAYONET BA9s T3 1/4	14.0	.27A ± 10%	2.00 ± 20%	C-2F	1500

REVISIONS			
REV	DESCRIPTION	DATE	APPROVED
B	Address Change	8-4-2008	S.L.
C	Add SAE note, Bead Color & Design Watts.	8-6-2008	S.L.

* SAE J573 Compliance.
Design Watts: 3.78 ±10%



UNLESS OTHERWISE SPECIFIED: DIMENSIONS ARE IN INCHES TOLERANCES		CEC INDUSTRIES LTD			
DECIMALS .XX ± .05 .XXX ± .010 FRACTIONAL ±1/64		ANGULAR ± 0.5° ±1/64		599 BOND STREET LINCOLNSHIRE, IL 60069	
DRAWN Anna Soloveychik	DATE 01/24/02	TITLE LIGHT BULB NO. 1889			
CHECKED		SIZE A	FSCM NO.	DWG NO. 1889.DWG	REV C
DESIGN		SCALE	PLOT SCALE	SHEET 1 OF 1	
MATERIAL		FILE _AUTO CAD FILES\1889.DWG	DO NOT SCALE DRAWING		