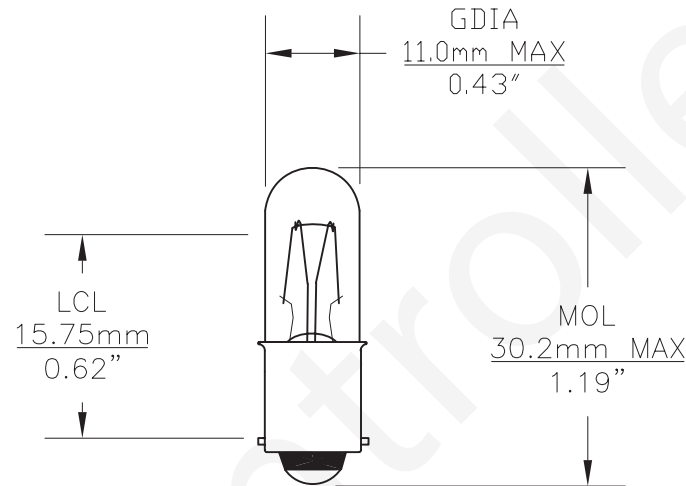


| REVISIONS | | | |
|-----------|-------------|------------|----------|
| REV | DESCRIPTION | DATE | APPROVED |
| 1 | ISSUED | 04/09/2007 | D.C. |

| PART NO. | BASE TYPE | DESIGN VOLTS | DESIGN AMPS | MSCD | FILAMENT TYPE | AVERAGE LIFE HOURS |
|----------|-------------------|--------------|-------------|------|---------------|--------------------|
| 1873 | MIN. BAYONET BA9s | 28 | 0.2 | 3 | C-2F | 7000 |



| | | | | | |
|---|--|------------------------|--|--------------|--|
| UNLESS OTHERWISE SPECIFIED: DIMENSIONS ARE IN INCHES TOLERANCES | | CEC INDUSTRIES LTD | | | |
| DECIMALS .XX ± .05 | | 599 BOND STREET | | | |
| ANGULAR .XXX ± .010 | | LINCOLNSHIRE, IL 60069 | | | |
| FRACTIONAL ±1/64 | | TITLE | | | |
| DRAWN D.C. | | LIGHT BULB NO. 1873 | | | |
| DATE 04/09/2007 | | SIZE | | FSCM NO. | |
| CHECKED | | DWG NO. | | 1873 | |
| DESIGN | | SCALE | | PLOT SCALE | |
| MATERIAL | | FILE 1873.dwg | | SHEET 1 OF 1 | |
| | | DO NOT SCALE DRAWING | | | |