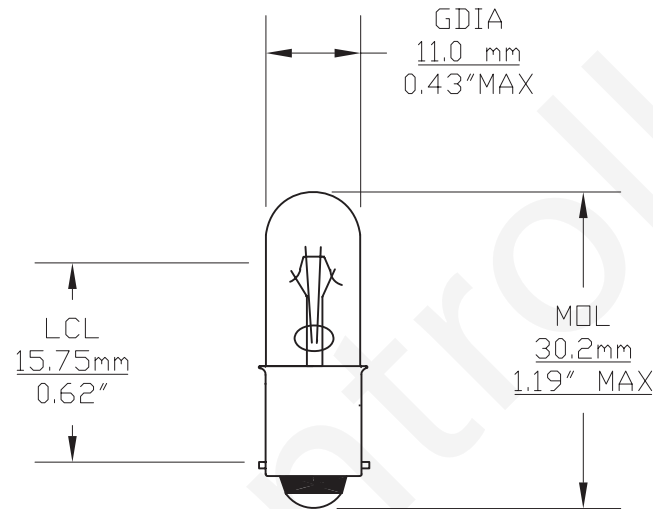


PART NO.	BASE TYPE	DESIGN VOLTS	DESIGN AMPS	MSCD	FILAMENT TYPE	AVERAGE LIFE HOURS
1864	MINIATURE BAYONET BA9s	28.0	0.17	3	C-2F	1500

REVISIONS			
REV	DESCRIPTION	DATE	APPROVED
1	ADDRESS CHANGE	8/31/2006	D.C.



UNLESS OTHERWISE SPECIFIED: DIMENSIONS ARE IN INCHES TOLERANCES		CEC INDUSTRIES LTD			
DECIMALS .XX ± .05		599 BOND STREET		LINCOLNSHIRE, IL 60069	
ANGULAR ± 0.5°		TITLE			
.XXX ± .010		LIGHT BULB NO. 1864			
FRACTIONAL ± 1/64					
DRAWN Anna Soloveychik	DATE 01/23/02	SIZE A	FSCM NO.	DWG NO. 1864	REV 1
CHECKED		SCALE	PLOT SCALE	SHEET 1 OF 1	
DESIGN		DO NOT SCALE DRAWING			
MATERIAL	FILE 1864.dwg				