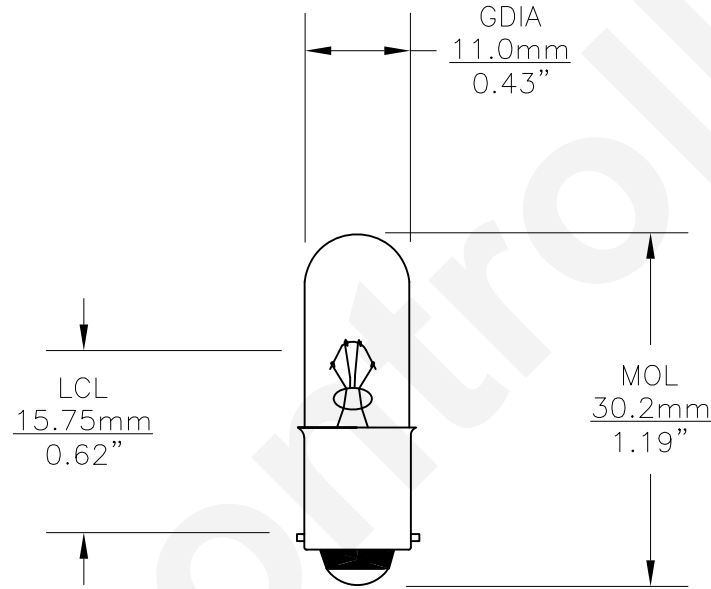


PART NO.	BASE TYPE	DESIGN VOLTS	DESIGN AMPS	MSCD	FILAMENT TYPE	AVG LIFE
1829	MINIATURE BAYONET BA9s	28.0	0.07 ±10%	1.0 ± 25%	C-2F	1000

REVISIONS			
REV	DESCRIPTION	DATE	APPROVED
1	ADDRESS CHANGE	12/21/2005	D.C



UNLESS OTHERWISE SPECIFIED: DIMENSIONS ARE IN INCHES TOLERANCES DECIMALS .XX ± .05    ANGULAR ± 0.5° .XXX ± .010 FRACTIONAL            ±1/64		CEC INDUSTRIES LTD 599 BOND STREET LINCOLNSHIRE, IL 60069	
DRAWN Elizabeth Sonanes		DATE 04/16/2001	
CHECKED		SIZE A	FSCM NO.
DESIGN		DWG NO. 1829	REV 1
MATERIAL		SCALE	PLOT SCALE
FILE 1829.dwg		SHEET 1 OF 1	
DO NOT SCALE DRAWING			

TITLE  
LIGHT BULB NO. 1829