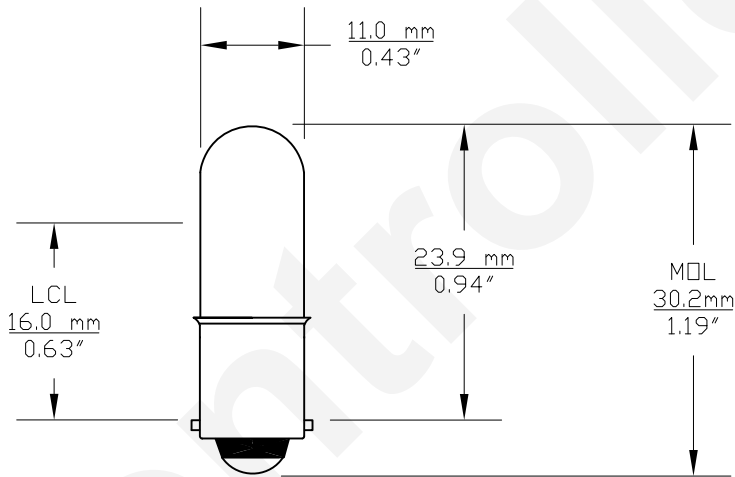


REVISIONS			
REV	DESCRIPTION	DATE	APPROVED
1	ISSUED	03/01/2001	E.S.
2	MOL, ADDRESS CHANGE	06/22/2011	D.C.

PART NO.	BASE TYPE	DESIGN VOLTS	DESIGN AMPS	MSCD	FILAMENT TYPE	AVERAGE LIFE HOURS
1822	MINIATURE BAYONET BA9s	36	0.10 ±15%	2.1 ±30%	C-2F	1,000



UNLESS OTHERWISE SPECIFIED: DIMENSIONS ARE IN INCHES TOLERANCES		CEC INDUSTRIES LTD			
DECIMALS .XX ± .05 .XXX ± .010 FRACTIONAL ±1/64		ANGULAR ± 0.5°		599 BOND STREET LINCOLNSHIRE, IL 60069	
DRAWN Elizabeth Sonanes		DATE 03/01/2001		TITLE LIGHT BULB NO. 1822	
CHECKED	DESIGN	SIZE A	FSCM NO.	DWG NO. 1822	REV 2
MATERIAL		SCALE	PLOT SCALE	SHEET 1 OF 1	
		FILE 1822.dwg	DO NOT SCALE DRAWING		