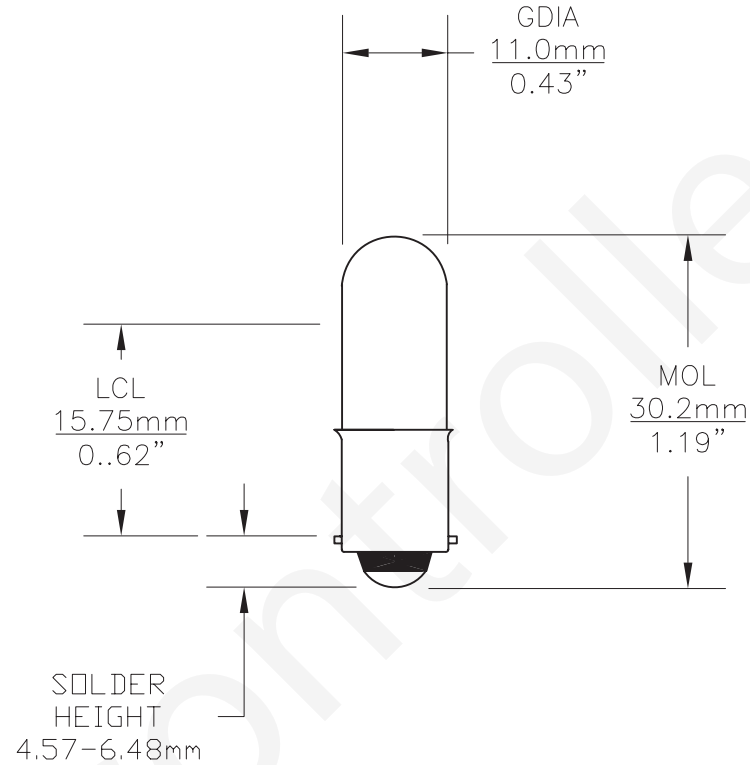


PART NO.	BASE TYPE	DESIGN VOLTS	DESIGN AMPS	MSCD	FILAMENT TYPE	AVERAGE LIFE HOURS
1819	MINIATURE BAYONET BA9s	28	0.04 ±10%	0.34 ± 20%	C-2F	2500

REVISIONS			
REV	DESCRIPTION	DATE	APPROVED
1	ADDITIONAL DIMENSIONS	04/23/2007	D.C.



UNLESS OTHERWISE SPECIFIED: DIMENSIONS ARE IN INCHES TOLERANCES		CEC INDUSTRIES LTD			
DECIMALS .XX ± .05		599 BOND STREET		LINCOLNSHIRE, IL 60069	
ANGULAR .XXX ± .010		TITLE			
FRACTIONAL ±1/64		LIGHT BULB NO. 1819			
DRAWN Elizabeth Sonanes	DATE 04/16/2001	SIZE A	FSCM NO.	DWG NO. 1819	REV 1
CHECKED		SCALE	PLOT SCALE	SHEET 1 OF 1	
DESIGN		FILE 1819.dwg		DO NOT SCALE DRAWING	