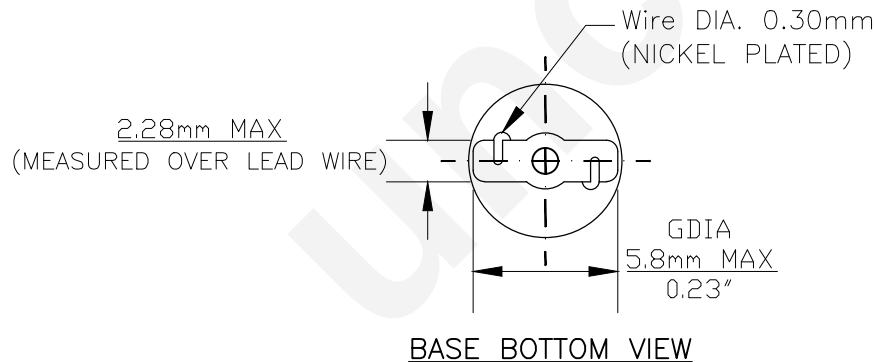
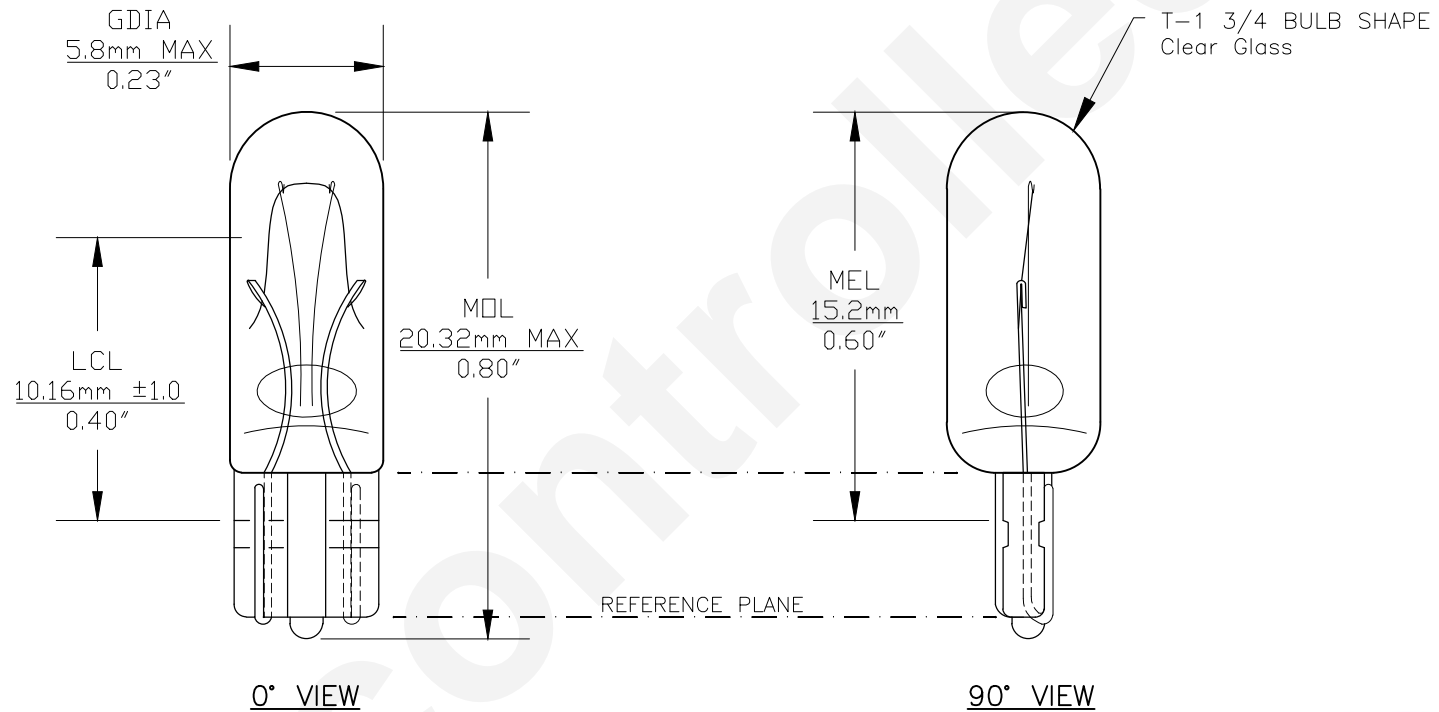




Since 1959

PART NO.	BASE TYPE	DESIGN VOLTS	DESIGN AMPS	MSCD	FILAMENT TYPE	AVERAGE LIFE HOURS	REVISIONS			
							REV #	DESCRIPTION	DATE	APPROVED
18	Sub-miniature Glass Wedge (T-1 3/4)	14.0V	0.04±15%	0.13±20%	C-2F	5000	1	ISSUED	10/30/2014	R.M.



Note: Made according to SAE specifications



UNLESS OTHERWISE SPECIFIED: DIMENSIONS ARE IN INCHES TOLERANCES		CEC INDUSTRIES LTD			
DECIMALS	ANGULAR	599 BOND STREET		LINCOLNSHIRE, IL 60069	
.XX ± .05	± 0.5°	TITLE LIGHT BULB NO. 18			
.XXX ± .010		SIZE A	FSCM NO.	DWG NO. 18	REV 1
FRACTIONAL	± 1/64	SCALE		PLOT SCALE	SHEET 1 OF 1
DRAWN ROSE MEDINA		DATE 10/30/2014		MATERIAL	
CHECKED		FILE 18.pdf		DRAWING NOT TO SCALE	