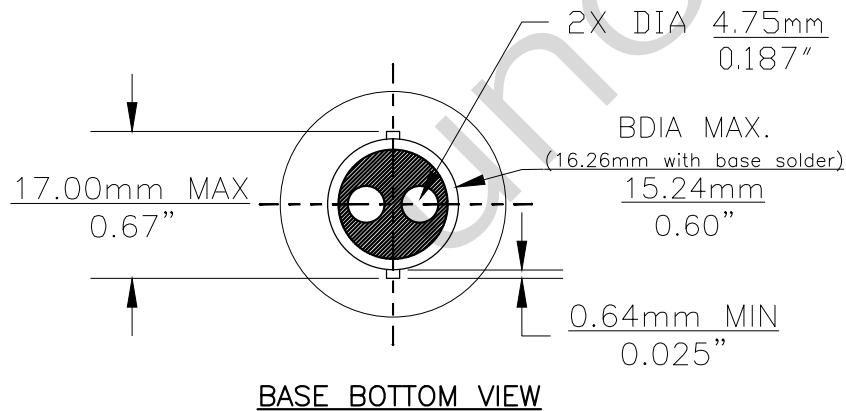
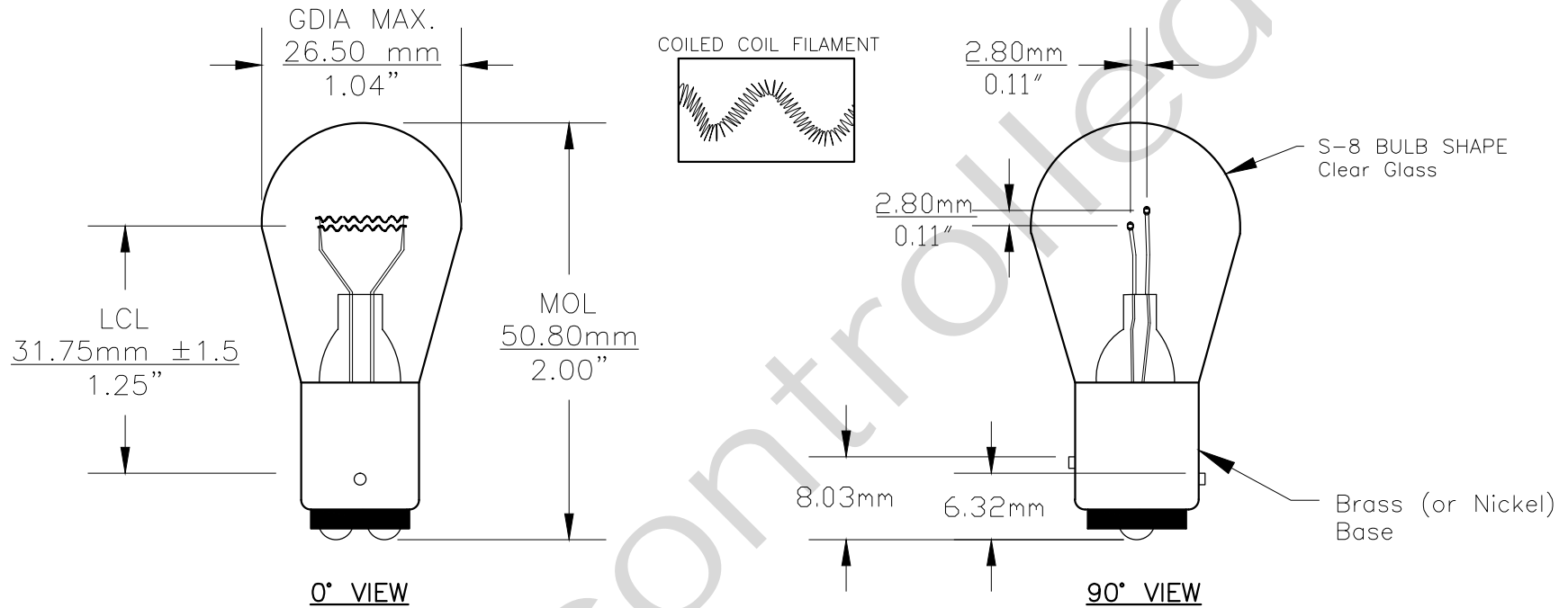




PART NO.	BASE TYPE	DESIGN VOLTS	DESIGN AMPS	MSCD	FILAMENT TYPE	AVERAGE LIFE HOURS	REVISIONS			
							REV #	DESCRIPTION	DATE	APPROVED
1662	D.C. INDEX BAY15d	28.0V 28.0V	0.9±5% 0.34±8%	32±10% 6±12%	CC-6 CC-6	400 1000	1	ISSUED	10/22/2014	R.M.



Note: Made according to SAE specifications

UNLESS OTHERWISE SPECIFIED: DIMENSIONS ARE IN INCHES TOLERANCES		CEC INDUSTRIES LTD			
DECIMALS	ANGULAR	599 BOND STREET		LINCOLNSHIRE, IL 60069	
.XX ± .05	± 0.5°	TITLE LIGHT BULB NO. 1662			
.XXX ± .010		SIZE A	FSCM NO.	DWG NO. 1662	REV 1
FRACTIONAL	±1/64	DESIGN	SCALE	PLOT SCALE	SHEET 1 OF 1
DRAWN ROSE MEDINA		DATE 10/22/2014		MATERIAL	
CHECKED		FILE 1662.pdf		DRAWING NOT TO SCALE	