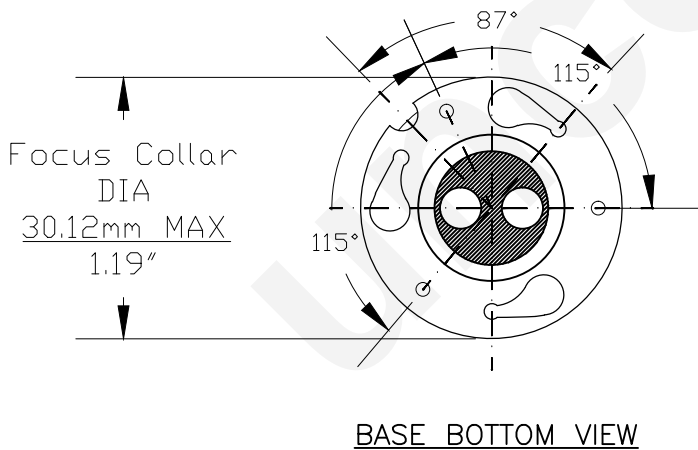
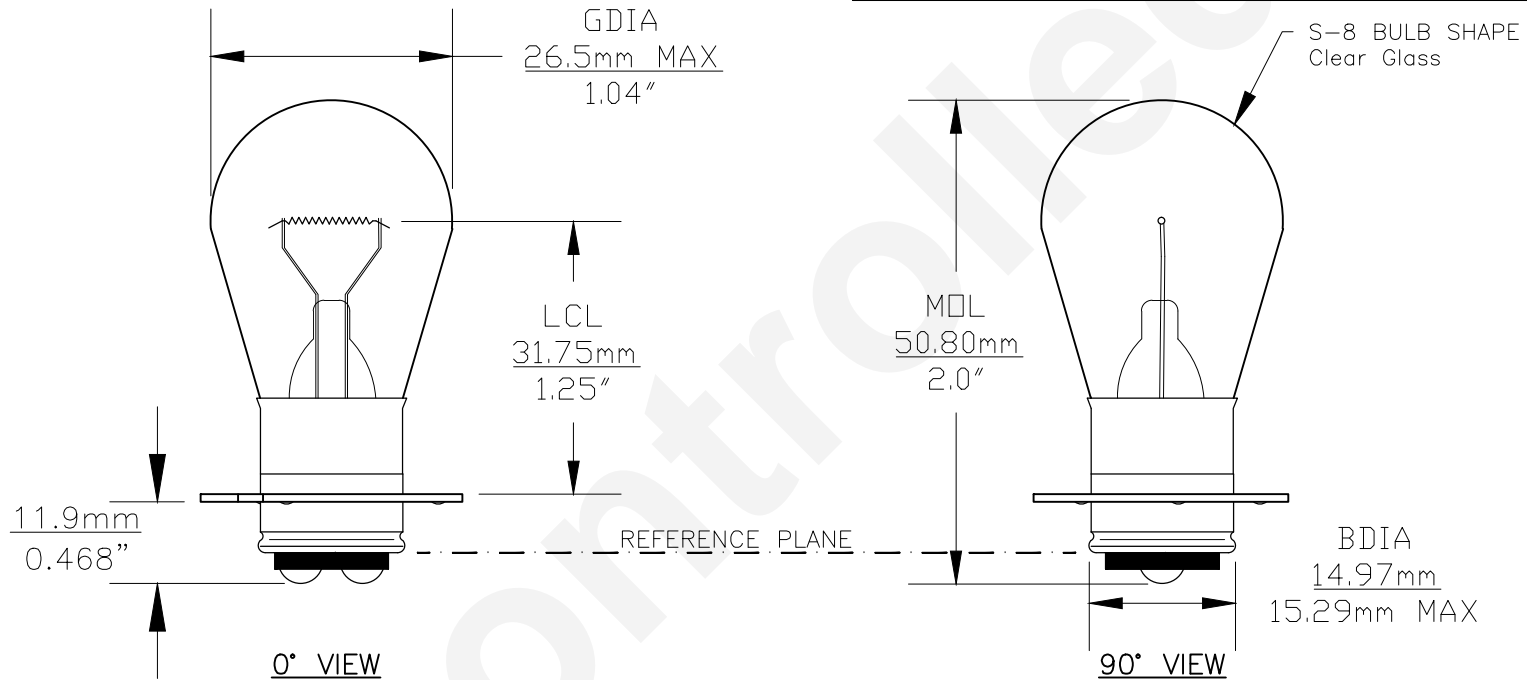




PART NO.	BASE TYPE	DESIGN VOLTS	DESIGN AMPS	MSCD	FILAMENT TYPE	AVERAGE LIFE HOURS
1630	D.C. Prefocus A (P15d30A)	6.5V	2.75±15%	23±30%	C-6	100

REVISIONS			
REV #	DESCRIPTION	DATE	APPROVED
1	ISSUED	02/01/2001	E.S.
2	ADDRESS CHANGE, DIMENSIONS	04/27/2006	D.C.
3	LCL TOLERANCE ADDED	07/11/2007	D.C.
4	REDRAWN FOR ADDITIONAL VIEWS	11/06/2014	R.M.



Note: Made according to SAE specifications



UNLESS OTHERWISE SPECIFIED: DIMENSIONS ARE IN INCHES TOLERANCES		CEC INDUSTRIES LTD	
DECIMALS	ANGULAR	599 BOND STREET LINCOLNSHIRE, IL 60069	
.XX ± .05	± 0.5°	TITLE LIGHT BULB NO. 1630	
.XXX ± .010		SIZE A	REV 4
FRACTIONAL	± 1/64	FSCM NO.	DWG NO. 1630
DRAWN ELIZABETH SONANES	DATE 02/01/2001	SCALE	SHEET 1 OF 1
CHECKED		PLOT SCALE	FILE 1630.pdf
DESIGN			DRAWING NOT TO SCALE
MATERIAL			