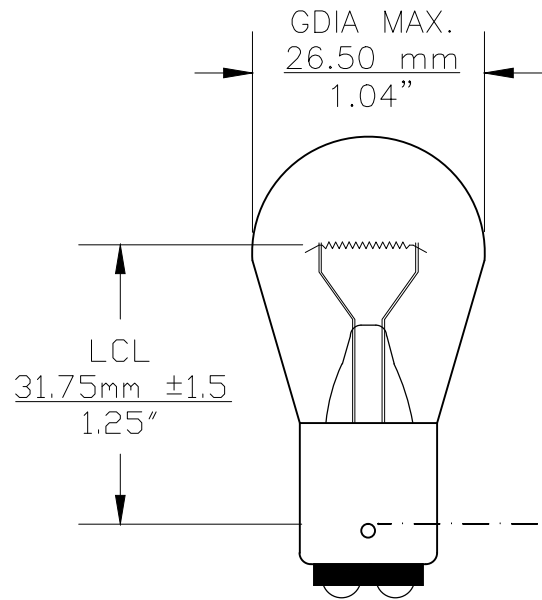


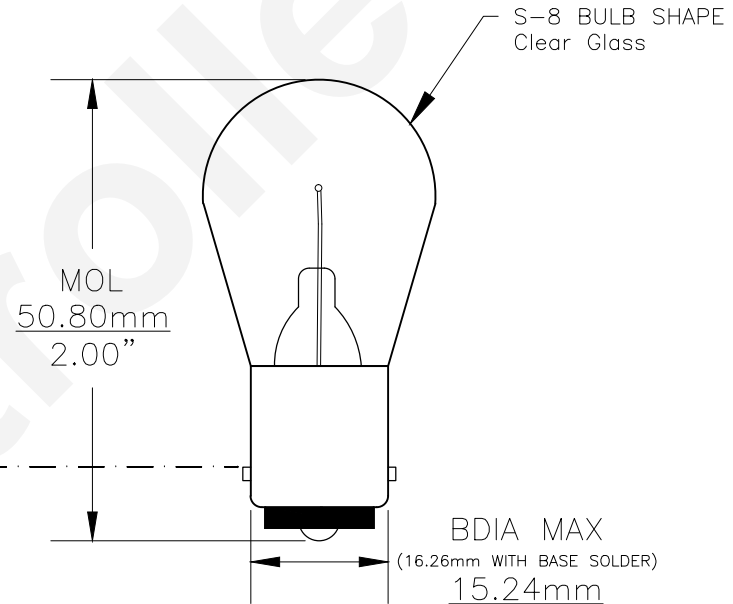


PART NO.	BASE TYPE	DESIGN VOLTS	DESIGN AMPS	MSCD	FILAMENT TYPE	AVERAGE LIFE HOURS
1612	D.C. BAYONET (BA15d)	5.4V	1.86±10%	10±15%	C-6	1000

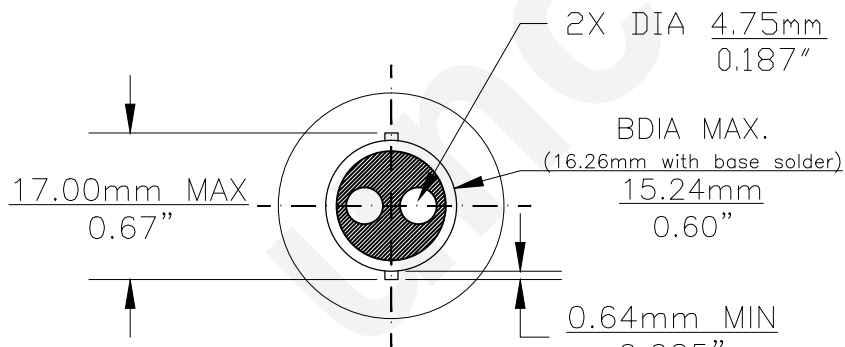
REVISIONS			
REV #	DESCRIPTION	DATE	APPROVED
1	ISSUED	10/27/2014	R.M.



0° VIEW



90° VIEW



BASE BOTTOM VIEW



Note: Made according to SAE specifications

UNLESS OTHERWISE SPECIFIED: DIMENSIONS ARE IN INCHES TOLERANCES		CEC INDUSTRIES LTD	
DECIMALS .XX ± .05	ANGULAR .XXX ± .010	599 BOND STREET	LINCOLNSHIRE, IL 60069
FRACTIONAL ±1/64		TITLE LIGHT BULB NO. 1612	
DRAWN ROSE MEDINA	DATE 10/27/2014	SIZE A	FSCM NO. 1612
CHECKED		DWG NO. 1612	REV 1
DESIGN	SCALE	PLOT SCALE	SHEET 1 OF 1
MATERIAL	FILE 1612.pdf	DRAWING NOT TO SCALE	